

1 2 3 4 5 6

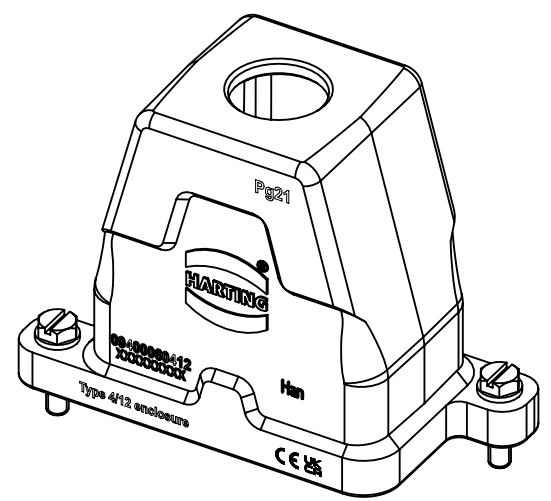
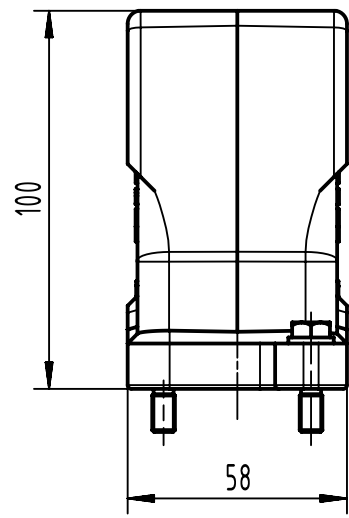
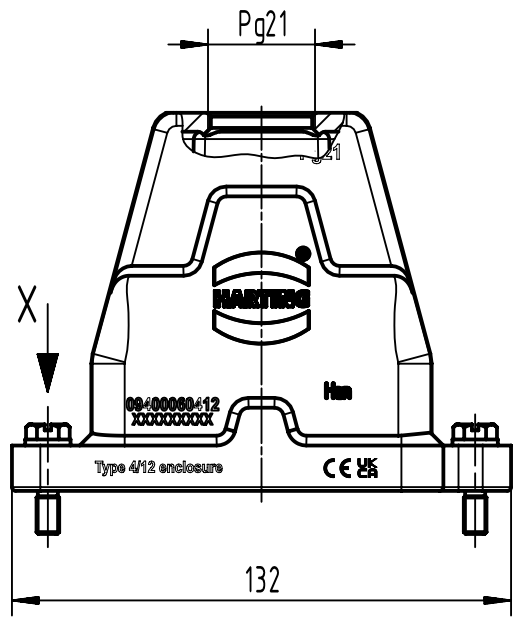
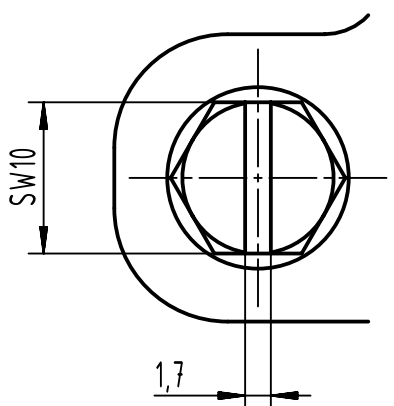
A

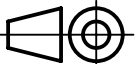

B

C

D

X (2:1)



 All Dimensions in mm Original Size DIN A4	Scale	Free size tol.		Ref.	
	1:2			Sub.	
 All rights reserved Department EL PD	Created by	Inspected by	Standardisation	Date	State
	DEIMEL	100219		2024-03-07	Final Release
HARTING D-32339 Espelkamp	Title			Doc-Key / ECM-Nr.	
	Han 6HPR Hood Top Entry PG21 Screw lock			100208594 / UGD/004/F 500000265117	
Type		Number		Rev.	Page
TB		09 40 006 0412		F	1/1