

1 2 3 4 5 6

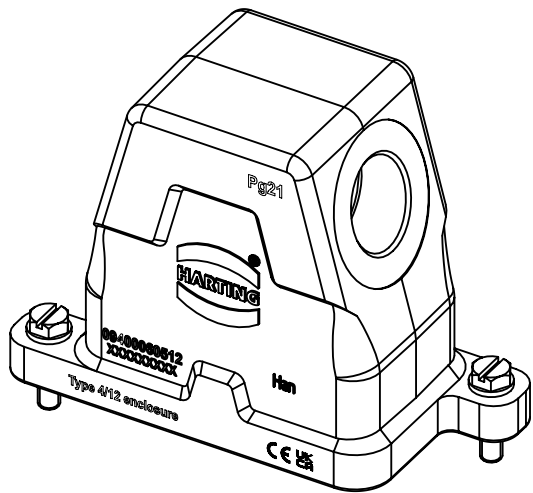
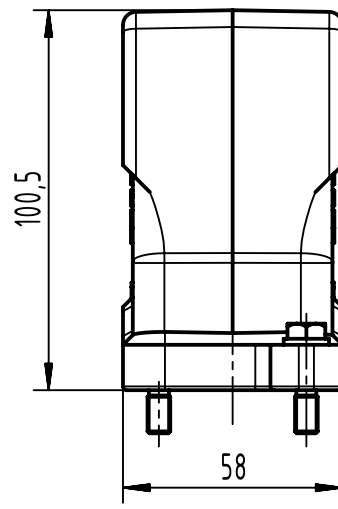
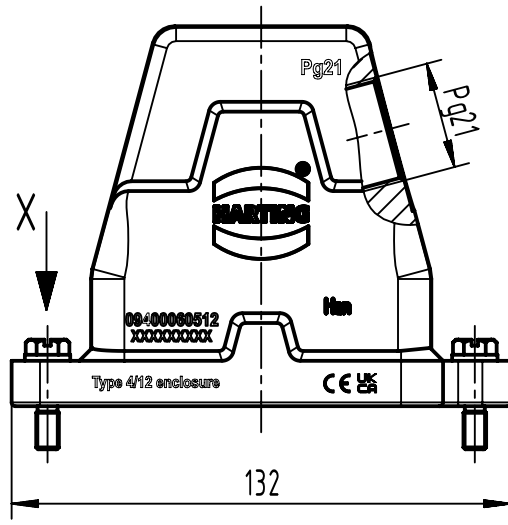
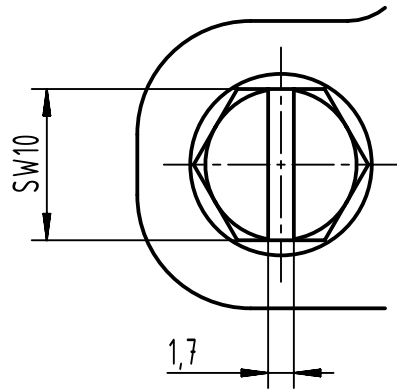
A

B

C

D

X (2:1)



	All Dimensions in mm Original Size DIN A4		Scale 1:2	Free size tol.		Ref.		
						Sub.		
	All rights reserved		Created by 105230	Inspected by 3236	Standardisation	Date 2023-08-31	State Final Release	
	Department EL PD		Title Han 6HPR HSE-Pg21-Screw lock				Doc-Key / ECM-Nr. 100208576/UGD/004/E 500000252553	
HARTING D-32339 Espelkamp			Type TB	Number 09 40 006 0512			Rev. E	Page 1/1