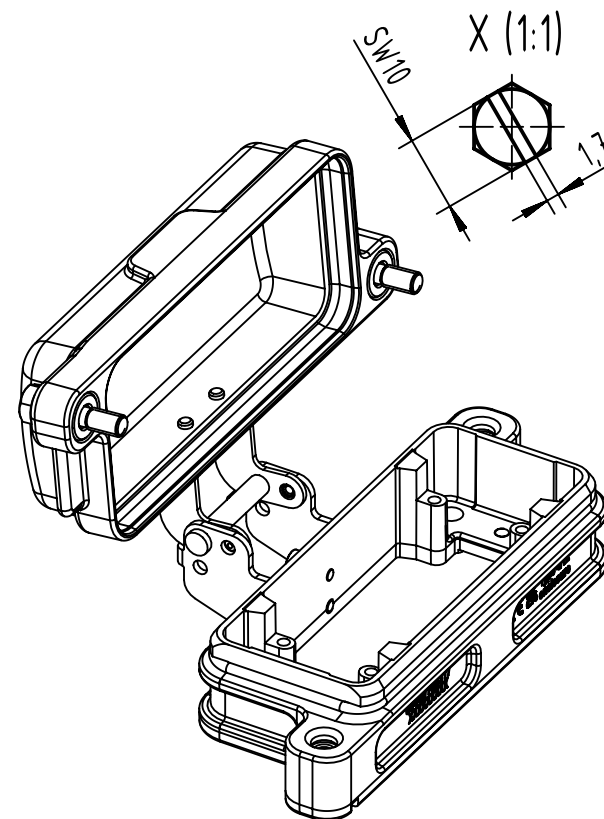
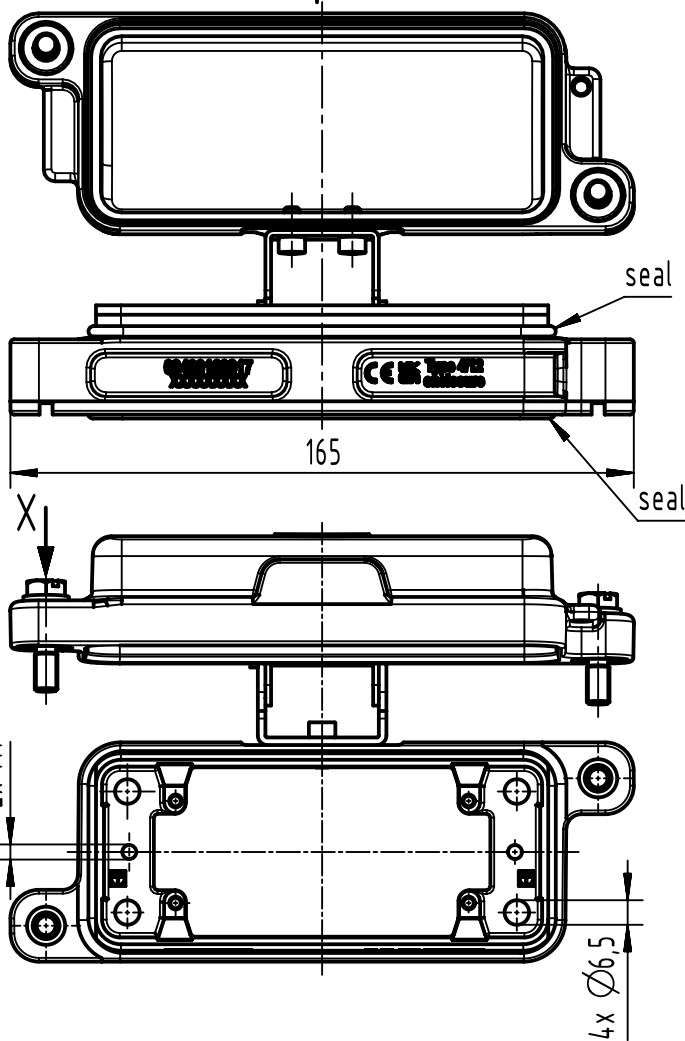
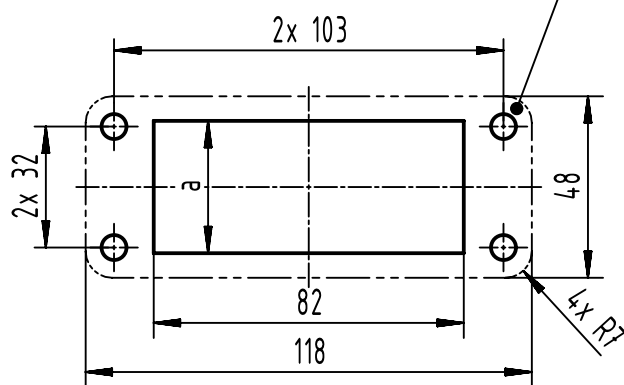


panel cut out for EMC features, conductive surfaces



application	a
standard insert	35
HC-Modular 650	44,5

	All Dimensions in mm Original Size DIN A4		Scale 1:2	Free size tol.		Ref.		
	All rights reserved Department EL PD		Created by MOELLERLI	Inspected by 3236	Standardisation	Date 2023-11-30	State Final Release	
HARTING D-32339 Espelkamp			Title Han 16HPR Base Panel Screw lock. Cover				Doc-Key / ECM-Nr. 100209313/UGD/004/K 500000258617	
			Type TB	Number 09 40 016 0317		Rev. K	Page 1/1	