

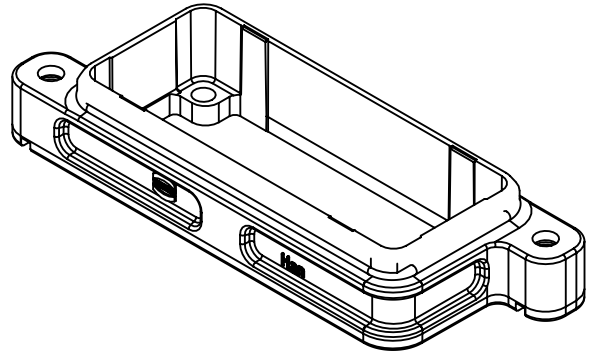
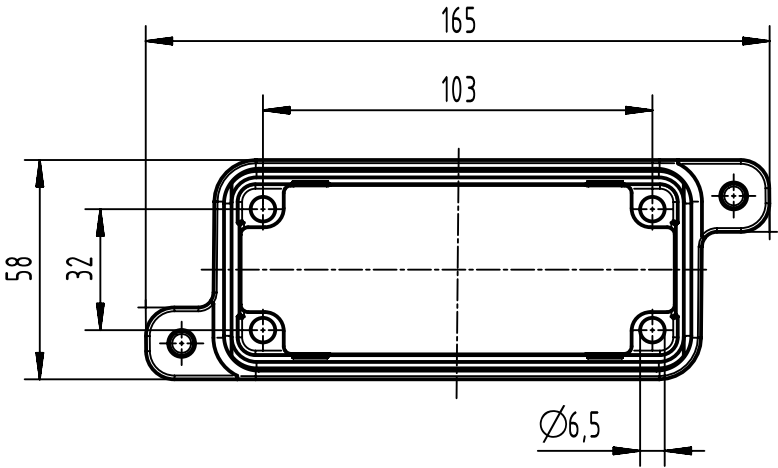
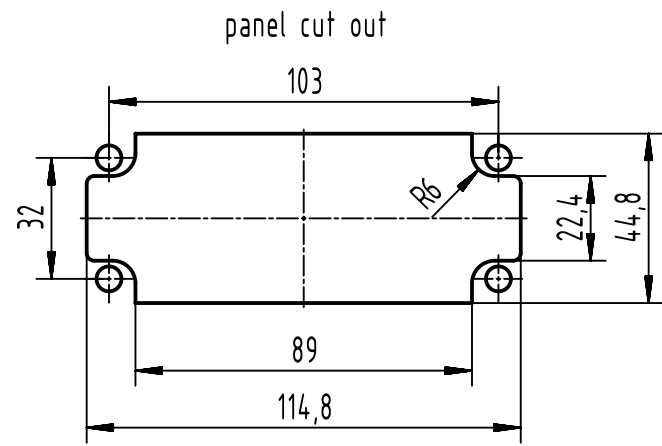
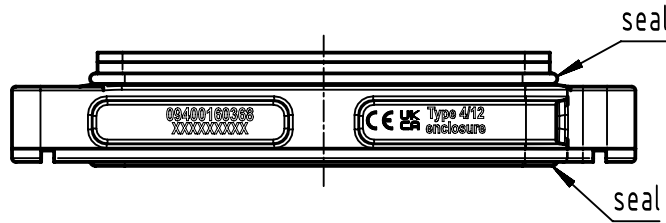
1 2 3 4 5 6


A

B

C

D



	All rights reserved Department EL PD	All Dimensions in mm Original Size DIN A4		Scale 1:2	Free size tol.	Ref. Sub.
		Created by MOELLERLI	Inspected by 3236	Standardisation	Date 2023-11-30	State Final Release
HARTING D-32339 Espelkamp		Title Han 16HPR-enlarged-HBM-SL			Doc-Key / ECM-Nr. 100209321/UGD/004/H 500000258617	
		Type TB	Number 09 40 016 0368		Rev. H	Page 1/1