

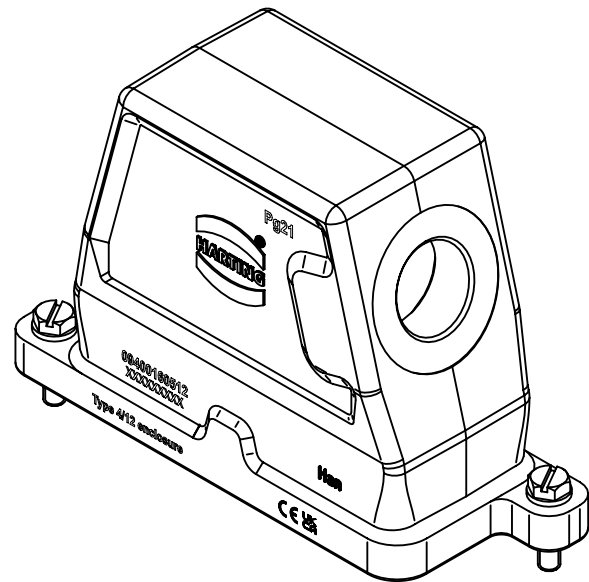
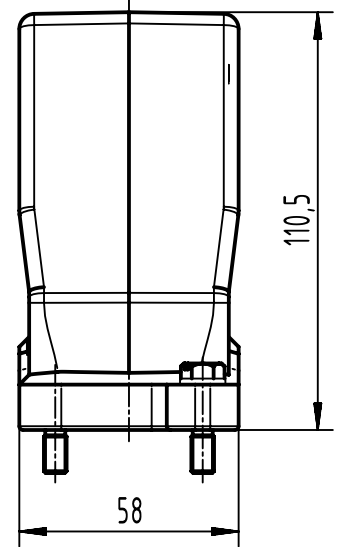
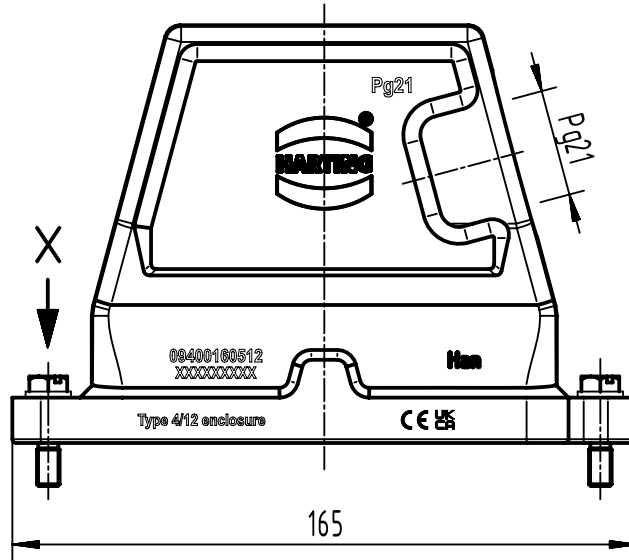
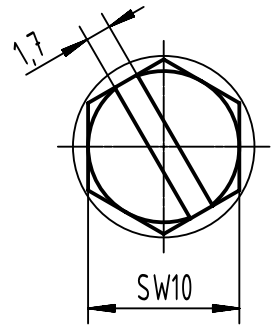
A

B

C

D

X (2:1)



|  |                                              |                                                |  |                   |                       |                                                           |                     |
|--|----------------------------------------------|------------------------------------------------|--|-------------------|-----------------------|-----------------------------------------------------------|---------------------|
|  | All Dimensions in mm<br>Original Size DIN A4 | Scale 1:2                                      |  | Free size tol.    |                       | Ref.                                                      |                     |
|  |                                              | Created by HELLMANN                            |  | Inspected by 3236 | Standardisation       | Date 2023-10-12                                           | State Final Release |
|  | All rights reserved<br>Department EL PD      | Title Han 16 HPR Hood Side Entry PG 21 Screw L |  |                   |                       | Doc-Key / ECM-Nr.<br>100214.995/UGD/004/D<br>500000255099 |                     |
|  |                                              | HARTING<br>D-32339 Espelkamp                   |  | Type TB           | Number 09 40 016 0512 |                                                           | Rev. D              |