

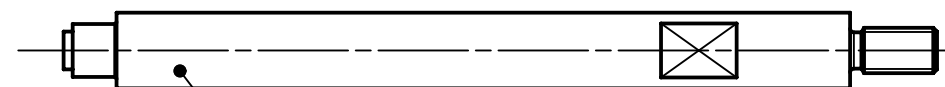
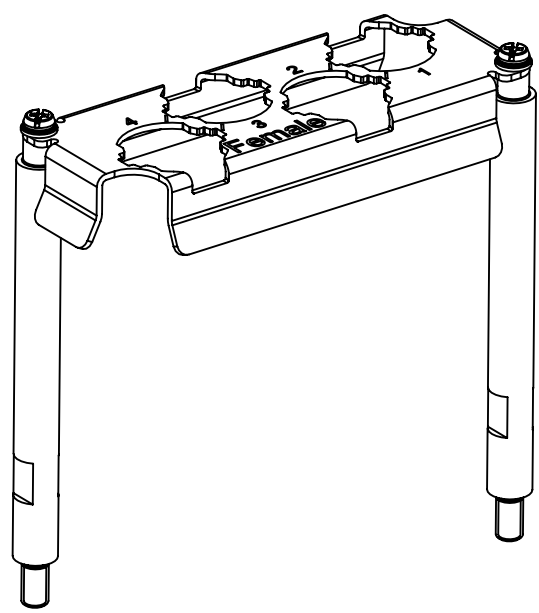
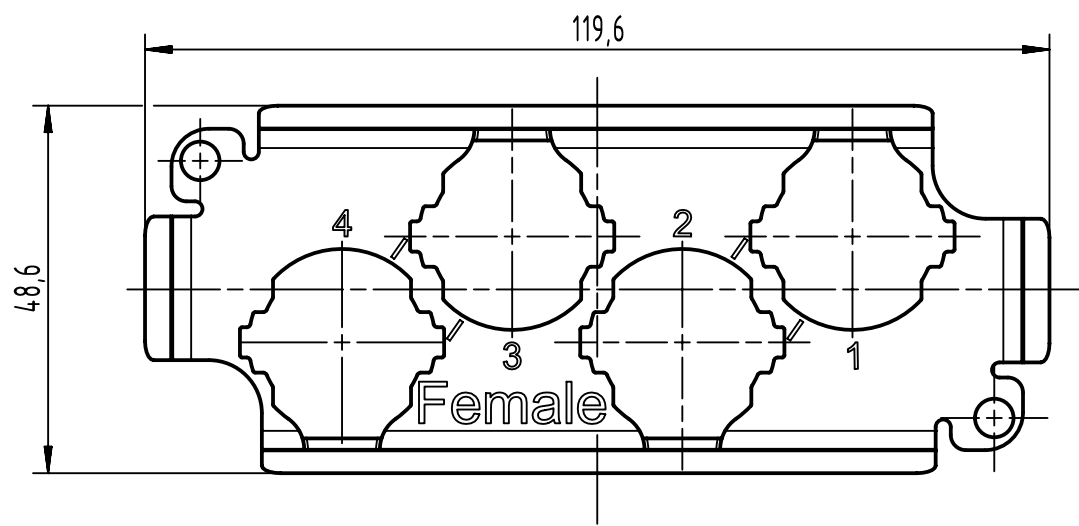
1 2 3 4 5 6

A

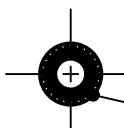
B

C

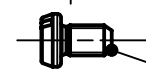
D



2x distance peg M6




2x Washer SK S4



2x Screw M4

All components enclosed separately

	All rights reserved Department EL PD	All Dimensions in mm Original Size DIN A4		Scale 1:1	Free size tol.	Ref. Sub.		
		Created by 407807	Inspected by DINGB	Standardisation ROEBEN	Date 2023-12-07	State Final Release		
HARTING D-32339 Espelkamp		Title Frame Han 16HPR EasyCon Female 4xHC250				Doc-Key / ECM-Nr. 100686427/UGD/011/C 500000259421		
		Type TB	Number 09 40 016 9904		Rev. C	Page 1/1		