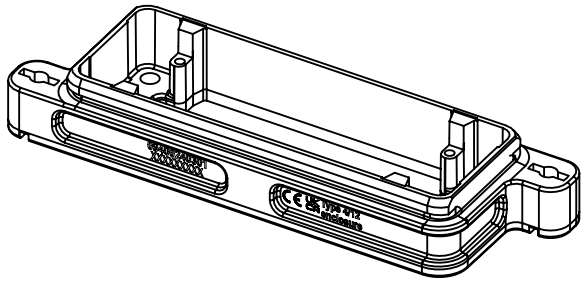
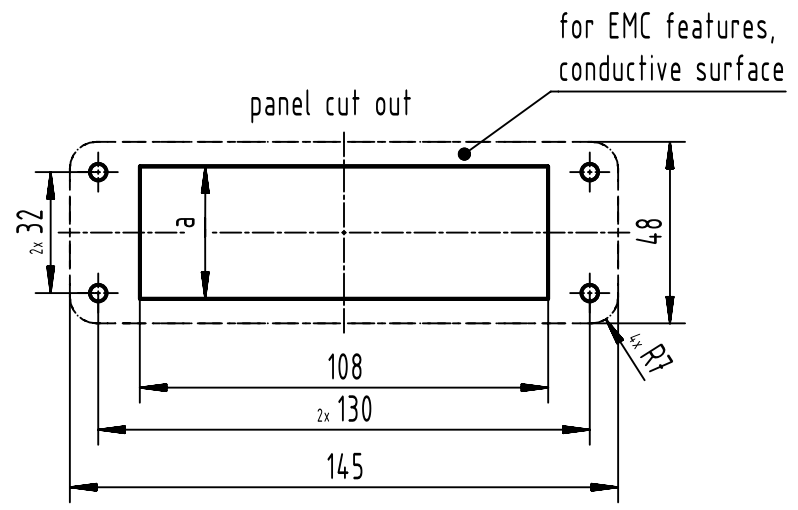
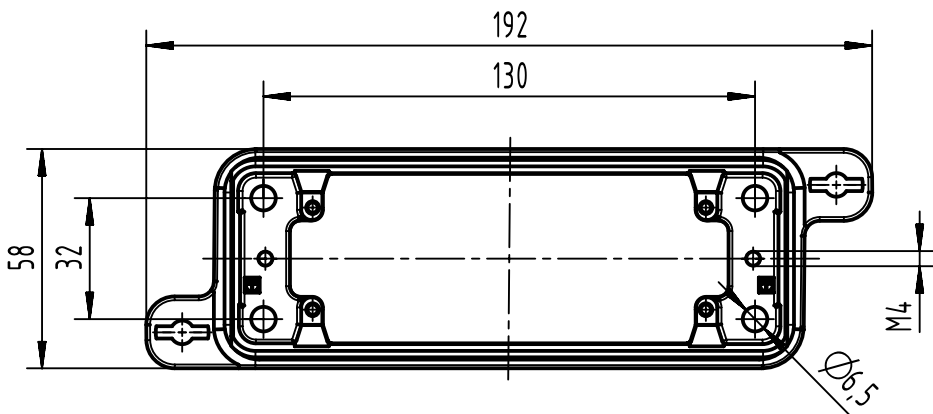
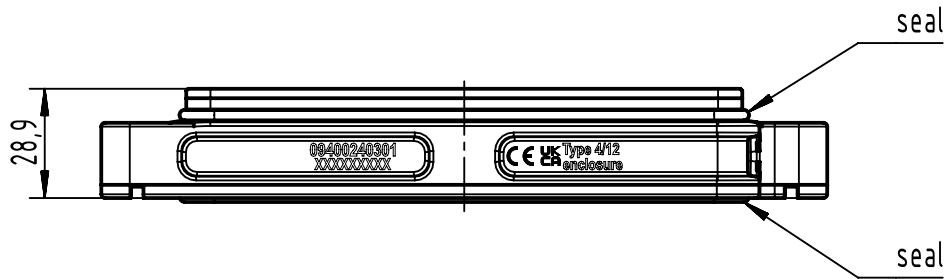


1 2 3 4 5 6

A
B
C
D



application	a
standard insert	35
HC-Modular 650	44,5

	All Dimensions in mm Original Size DIN A4		Scale 1:2	Free size tol.		Ref.	
	All rights reserved Department EL PD		Created by MOELLERLI	Inspected by 3236	Standardisation	Date 2023-11-30	State Final Release
HARTING D-32339 Espelkamp			Title Han 24HPR-agg-KV			Doc-Key / ECM-Nr. 100217695/UGD/004/F 500000258976	
			Type TB	Number 09 40 024 0301		Rev. F	Page 1/1