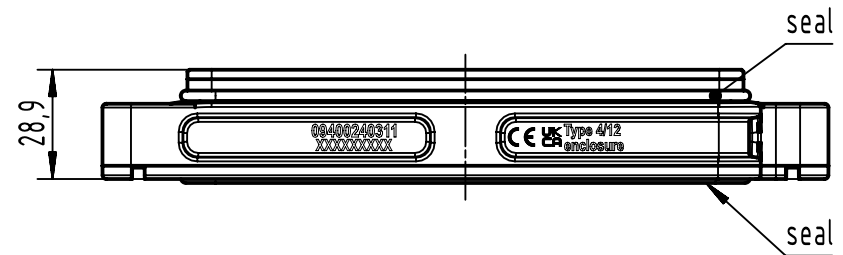
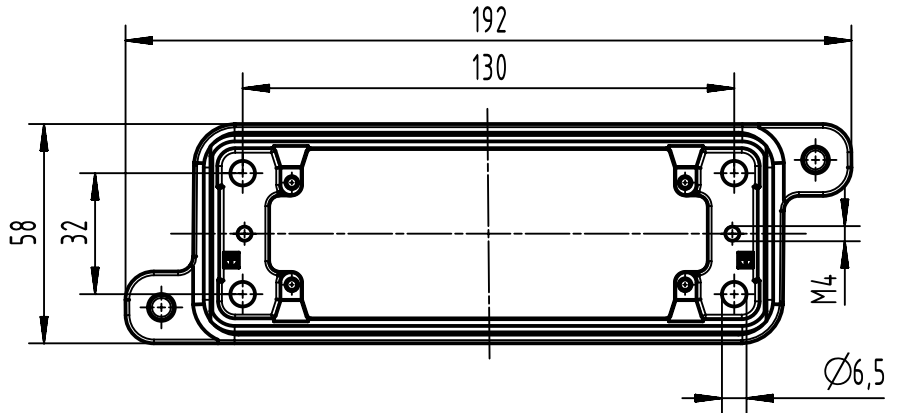


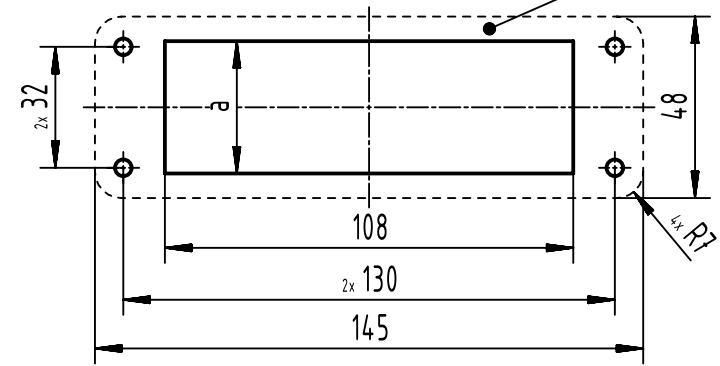
A



B



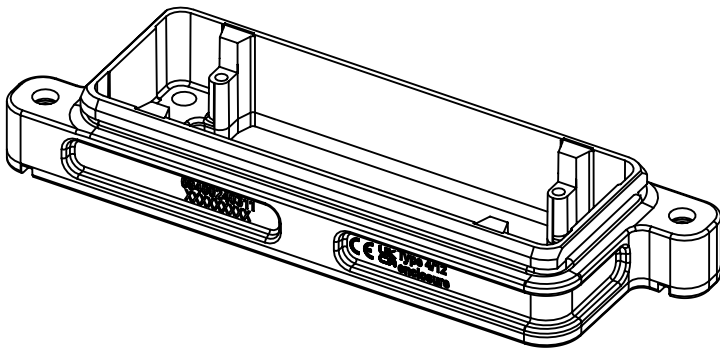
panel cut out for EMC features, conductive surface



C

application	a
standard insert	35
HC-Modular 650	44,5

D



	All Dimensions in mm Original Size DIN A4		Scale 1:2	Free size tol.		Ref.		
	All rights reserved Department EL PD		Created by MOELLERLI	Inspected by 3236	Standardisation	Date 2023-11-30	State Final Release	
HARTING D-32339 Espelkamp			Title Han 24HPR Base Panel Screw locking				Doc-Key / ECM-Nr. 100217699/UGD/004/G 500000258976	
			Type TB	Number 09 40 024 0311			Rev. G	Page 1/1