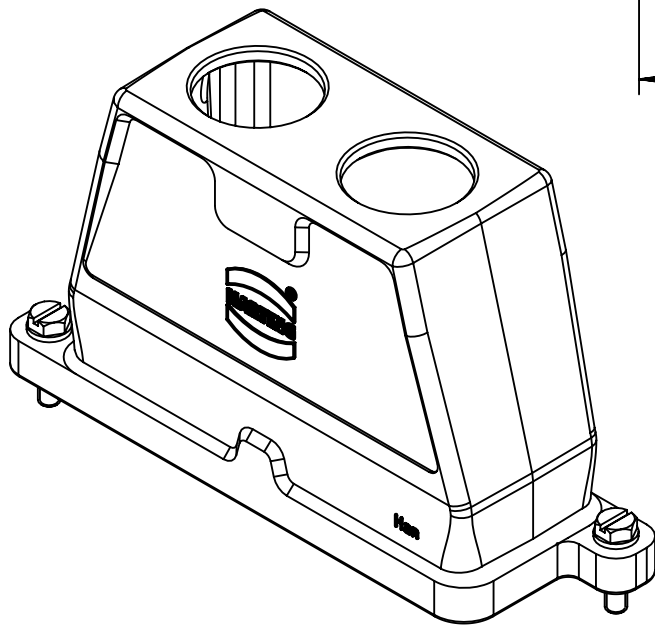
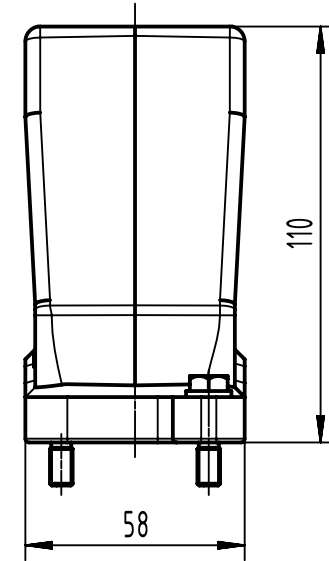
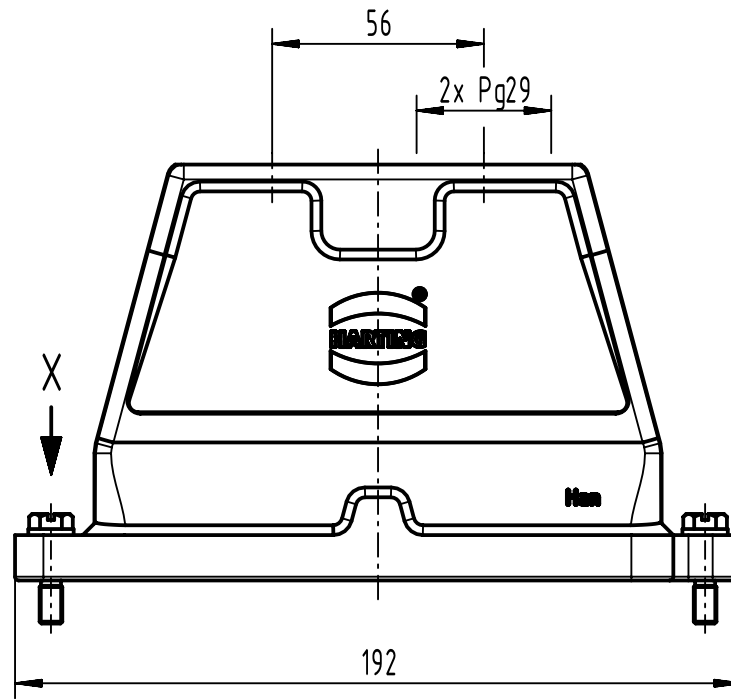
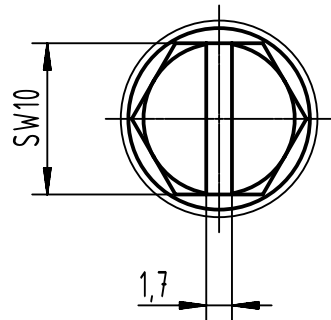


X (2:1)



	All rights reserved Department EL PD	All Dimensions in mm Original Size DIN A4		Scale 1:2	Free size tol.	Ref. Sub.
		Created by 408997	Inspected by 3236	Standardisation	Date 2023-11-09	State Final Release
HARTING D-32339 Espelkamp		Title Han 24 HPR Hood Top Entry 2xPG29				Doc-Key / ECM-Nr. 100201959/UGD/004/D 500000256272
		Type TB	Number 09 40 024 0433			Rev. D Page 1/1