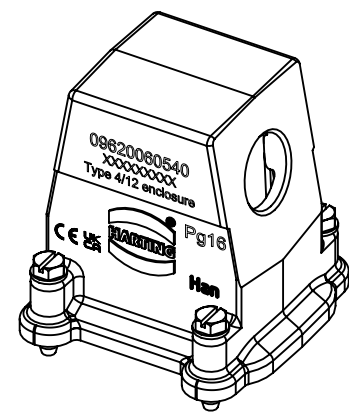
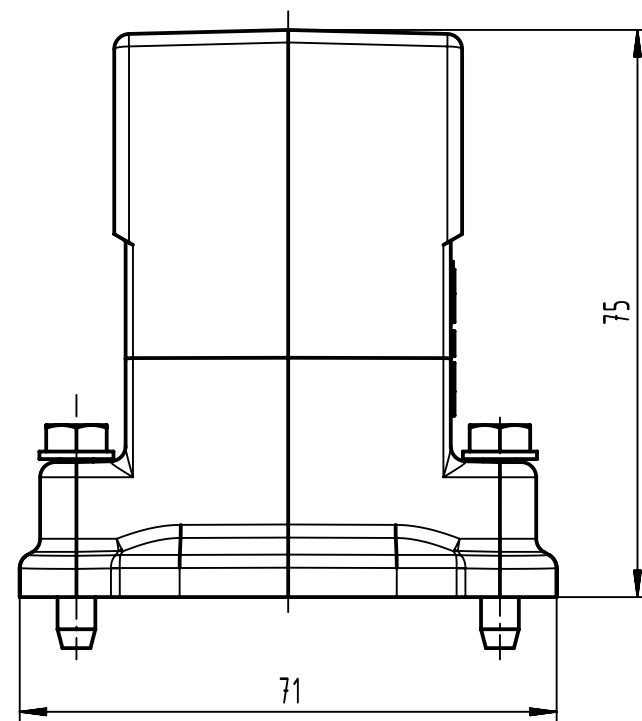
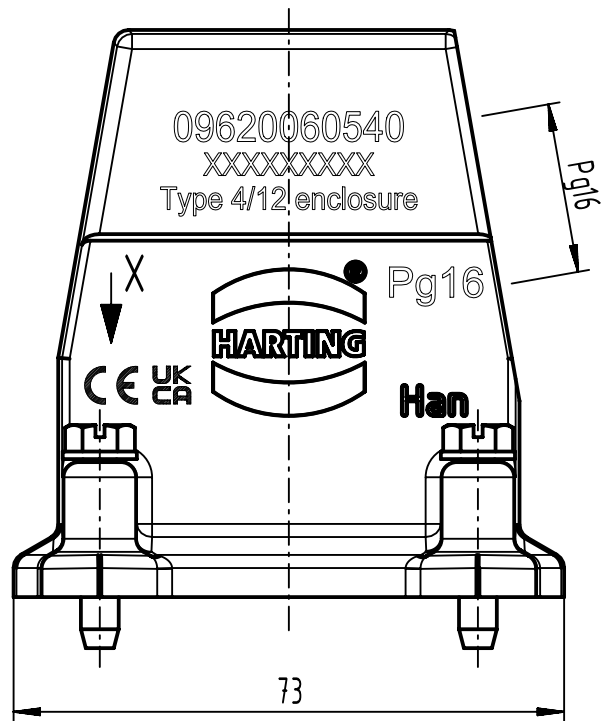
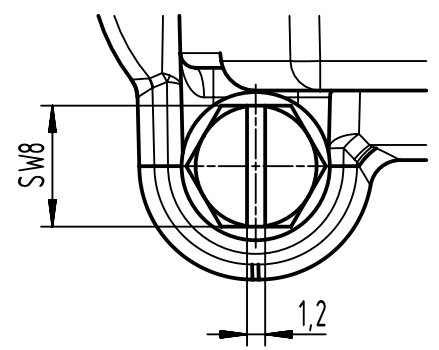


1 2 3 4 5 6

A
B
C
D



X (2:1)



| | | | | | | | |
|--|--|--------------------------|-----------------|-----------------|--------------------|--|-------------|
| Coating | A= | mm ² | V= | mm ³ | m= | g | Mat. |
| All Dimensions in mm Original Size DIN A4 | Scale 1:1 | Free size tol. | | | | | Ref. |
| All rights reserved Department EL PD | Created by HELLMANN | Inspected by GERB | Standardisation | | Date 2022-12-01 | State Final Release | |
| HARTING D-32339 Espelkamp | Title Han EMC 6 Hood Side Entry PG 16 | | | | | Doc-Key / ECM-Nr. 100201441/UGD/002/A 500000230288 | |
| | Type TB | Number 09 62 006 0540 | | | | Rev. A | Page 1/1 |