

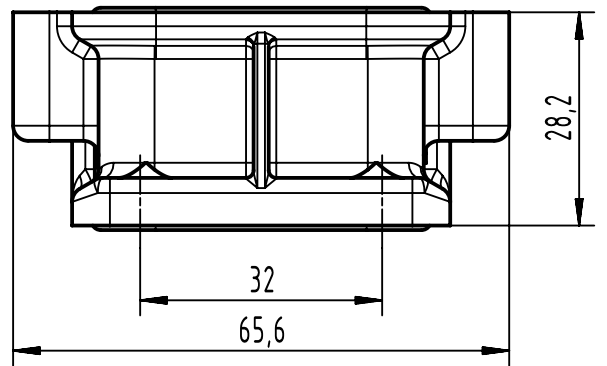
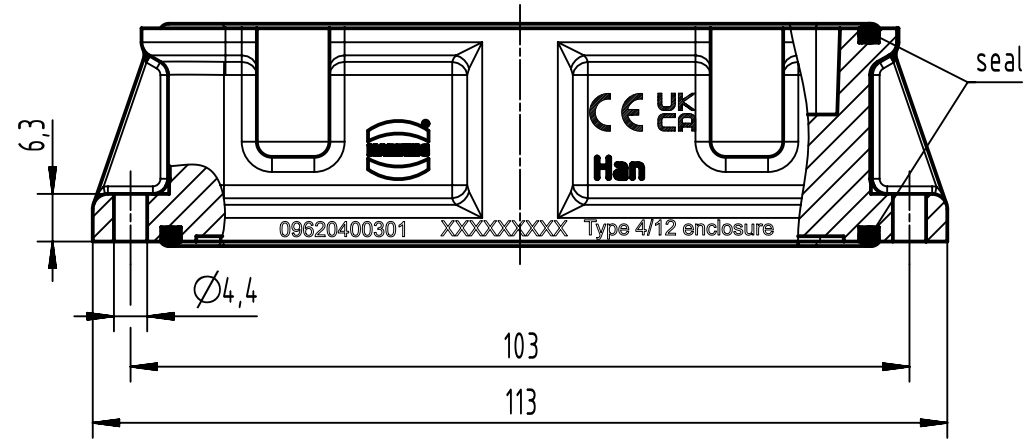
1 2 3 4 5 6

A

B

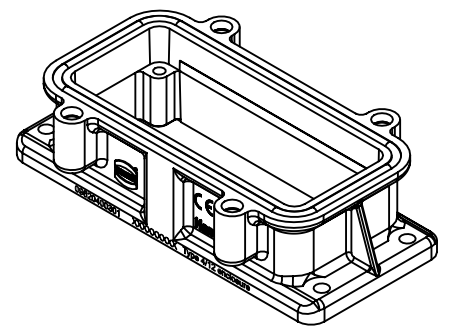
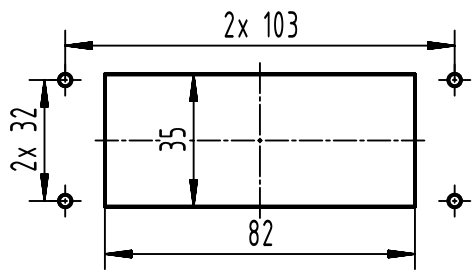
C


D



(1:2)

panel cut out



	All rights reserved Department EL PD	All Dimensions in mm Original Size DIN A4		Scale 1:1	Free size tol.	Ref. Sub. TB 09 62 040 0301 v. 12.08.10	
		HARTING D-32339 Espelkamp	Created by HELLMANN	Inspected by GERB	Standardisation	Date 2023-05-26	State Final Release
Title Han EMV 40 Base Panel						Doc-Key / ECM-Nr. 100194680/UGD/004/C 500000244804	
				Type TB	Number 09 62 040 0301		Rev. C
							Page 1/1