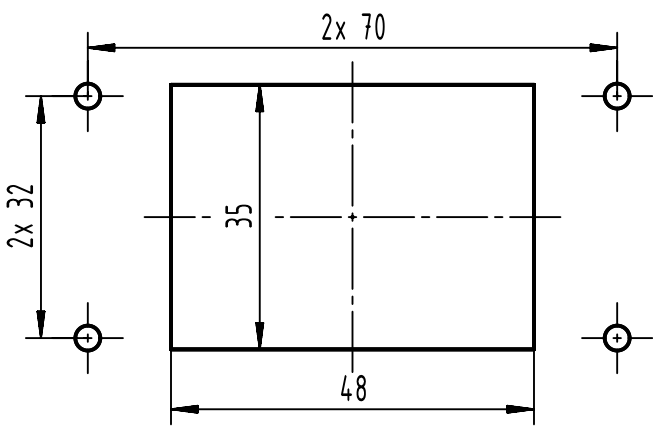


panel cut out



	All rights reserved Department EL PD	All Dimensions in mm Original Size DIN A4	Scale 1:1 Free size tol.	Ref. Sub.
		Created by SPRENB Inspected by GERB Standardisation	Date 2023-06-21 State Final Release	
HARTING D-32339 Espelkamp		Title Han EMC/B 6 Base Panel Type TB Number 09 62 806 0301		Doc-Key / ECM-Nr. 100179933/UGD/004/D 500000247682 Rev. D Page 1/1