

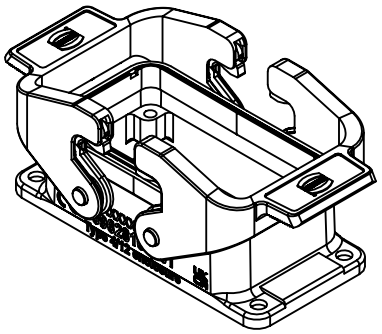
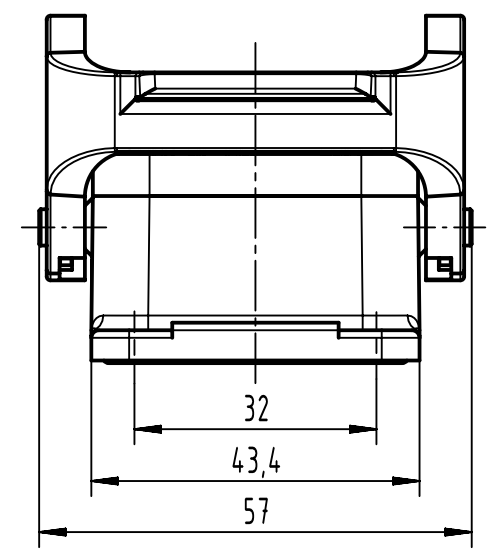
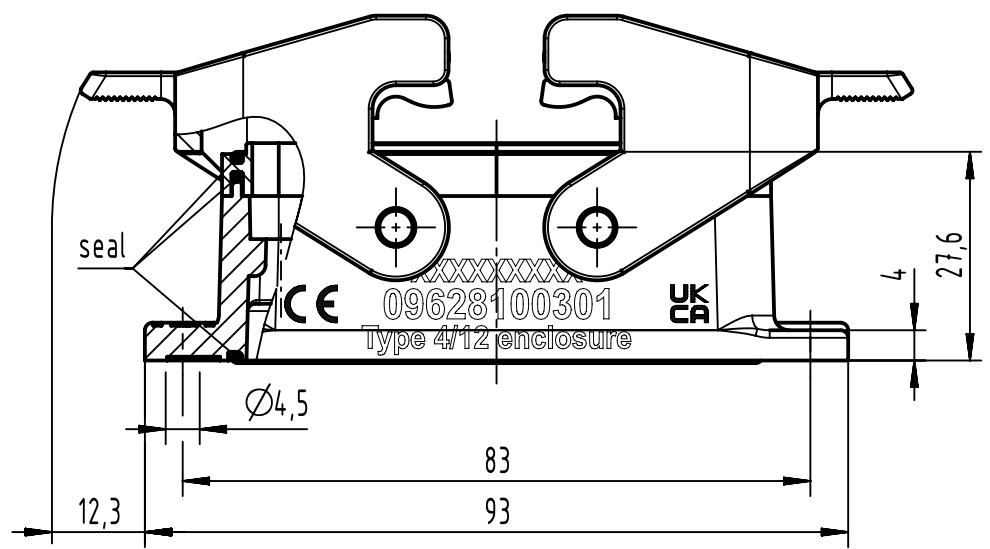
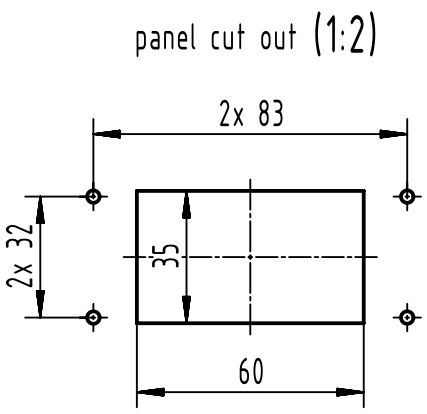
1 2 3 4 5 6

A

B

C

D



	All rights reserved Department EL PD	All Dimensions in mm Original Size DIN A4		Scale 1:1	Free size tol.	Ref.
		Created by SPRENB	Inspected by GERB	Standardisation	Date 2023-07-05	State Final Release
HARTING D-32339 Espelkamp		Title Han EMC/B 10 Base Panel			Doc-Key / ECM-Nr. 100181465/UGD/004/D 50000024.7999	
		Type TB	Number 09 62 810 0301		Rev. D	Page 1/1