

5

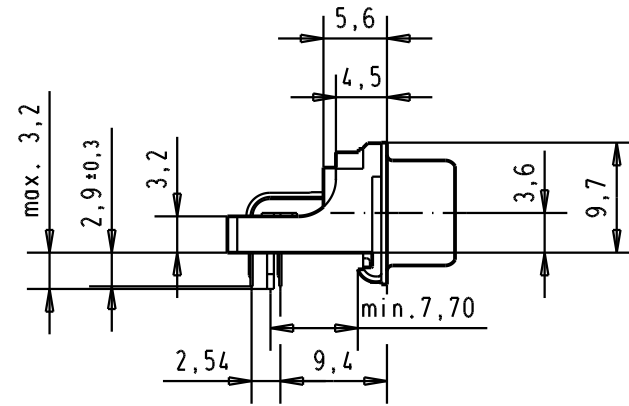
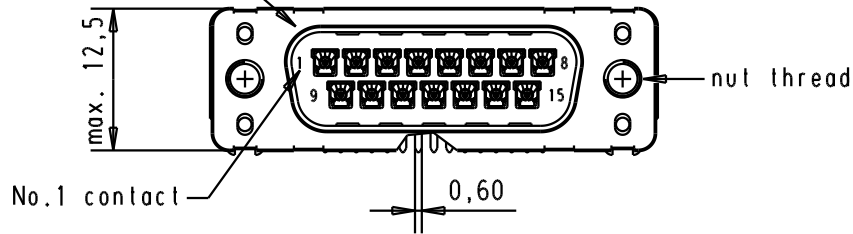
4

3

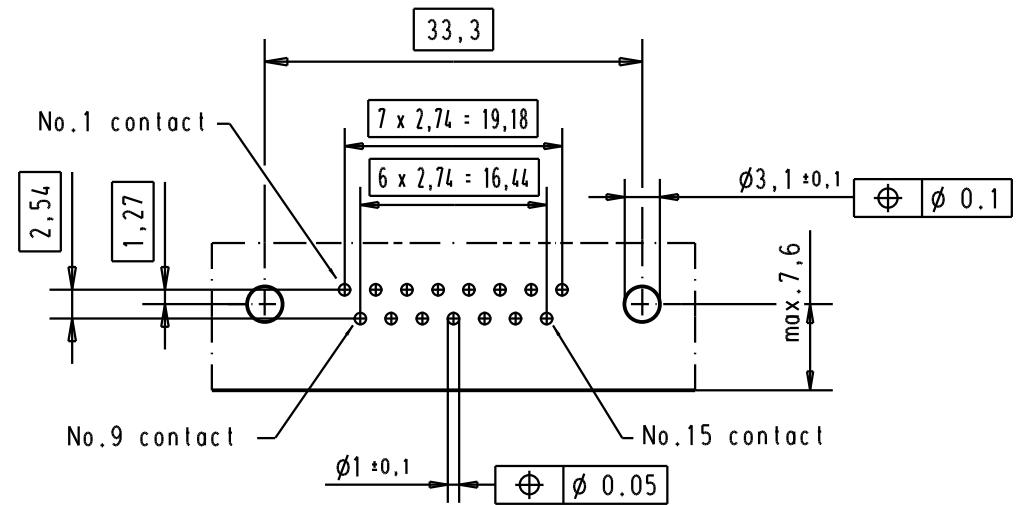
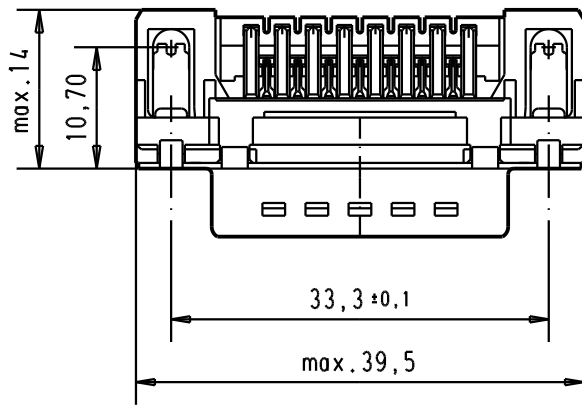
2

1

Mating face according to : MIL-C-24308 / DIN 41652 / CECC 75301-802



PCB layout hole component side



Connector retention and assembling forces on the PCB = 25 / 80 newtons

A

Part number	Nut thread	Performance level	Mod.	Dat.	Name	Det.	Dat.	Name	Moßstab/ Scale
09 65 262 3815	M3	1				Detail.	18/dec/00	ALSPACE	D-Sub, male, low profil angle, 15 poles, with solder pin, nut, grounding board lock. 1.5:1
09 65 262 6815	M3	2				Insp.		All Dim. in mm Orig. Size DIN A 4	
09 65 262 7815	M3	3	31892	22/04/04	JH	Stand.			
09 65 262 3816	4-40 UNC	1	31084	04/09/02	CV				TB 0965262x81x Sub.
09 65 262 6816	4-40 UNC	2	29689	03/07/01	AA			HARTING EURL F-95972 Paris	
09 65 262 7816	4-40 UNC	3	27960	18/dec/00	ALSPACE				
Part number	Nut thread	Performance level	Mod.	Dat.	Name				Blatt/ Page 2



All Dim. in mm
Orig. Size DIN A 4

