

5

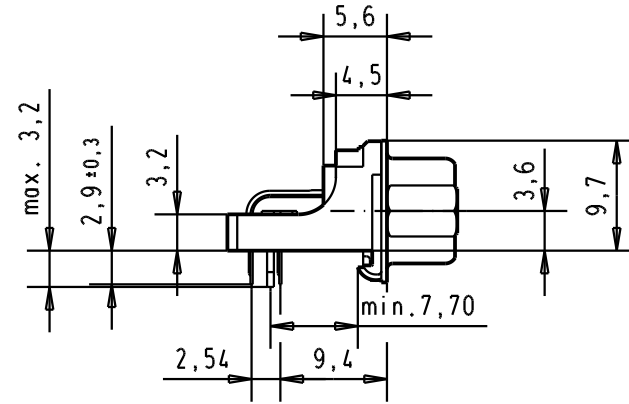
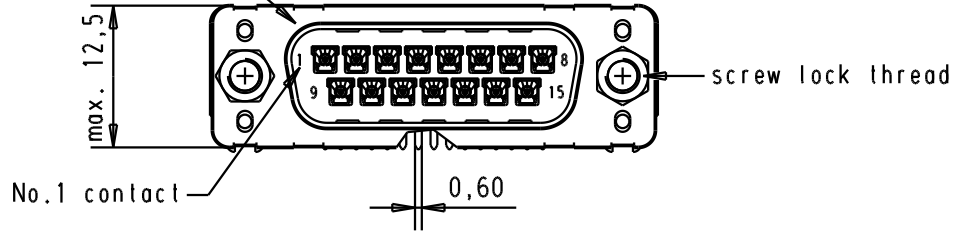
4

3

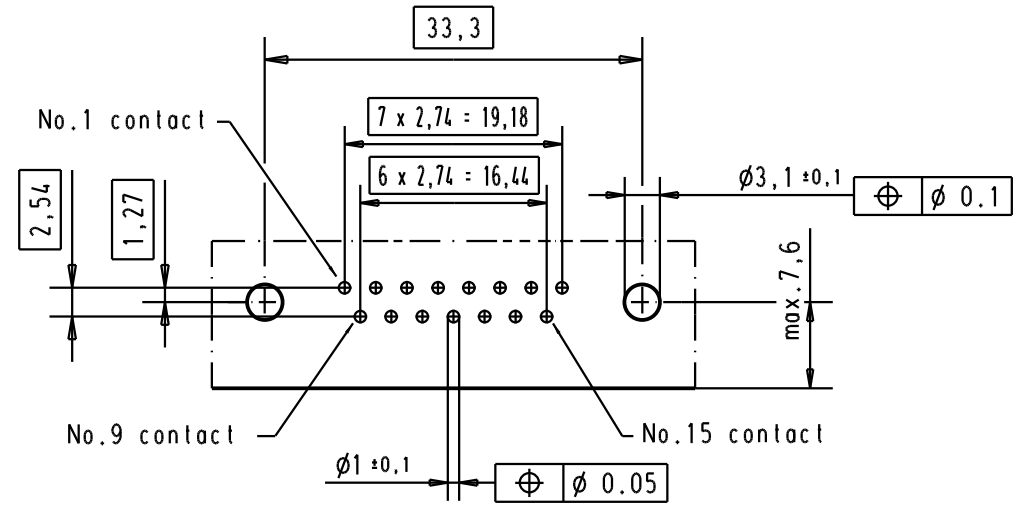
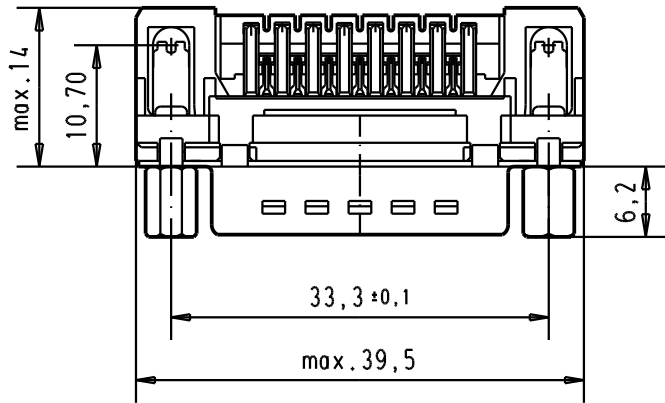
2

1

Mating face according to : MIL-C-24308 / DIN 41652 / CECC 75301-802





PCB layout hole component side



Connector retention and assembling forces on the PCB = 25 / 80 newtons

A

						Dat.	Name	 All Dim. in mm Orig. Size DIN A 4	D-Sub, male, low profil angle 15 poles, with solder pin, screw lock and grounding board lock.	Moßstab/ Scale	
						Detail.	18/dec/00			ALSPACE	1.5:1
						Insp.					
			31892	22/04/04	JH	Stand.					
09 65 262 3817	4-40 UNC	1	31084	04/SEP/02	YT						
09 65 262 6817	4-40 UNC	2	29689	02/07/01	AA						
09 65 262 7817	4-40 UNC	3	27960	18/dec/00	ALSPACE						
Part number	Screw lock thread	Performance level	Mod.	Dat.	Name	HARTING EURL F-95972 Paris				TB 0965262x81x Sub.	Blatt/ Page 3