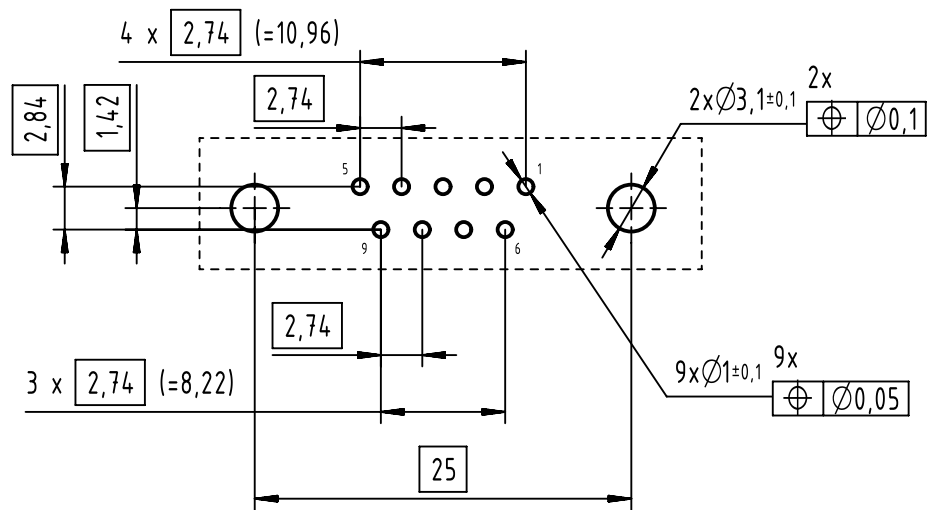
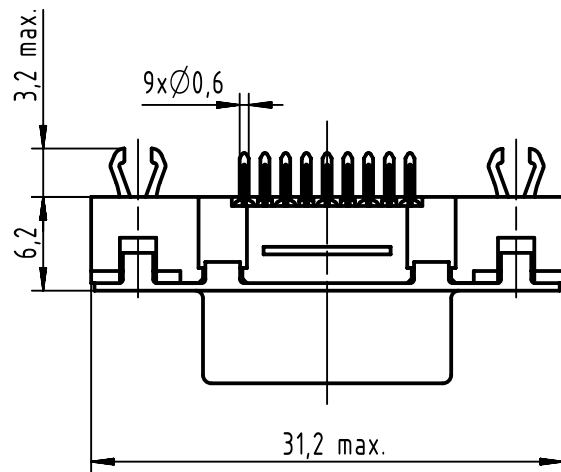


PCB layout component side
recommended thickness 1,6 mm



Connector retention and insertion forces on PC-Board: 25 N / 80 N

09661513511	M3	PL1		All Dimensions in mm Original Size DIN A4	Scale	Free size tol.		Ref.	
09661516511	M3	PL2			2:1			Sub.	
09661517511	M3	PL3		All rights reserved Department EL PD	Created by	Inspected by	Standardisation	Date	State
09661513512	4-40UNC	PL1			ZHUANGJ	LUOK	ROEBEN	2023-06-08	Final Release
09661516512	4-40UNC	PL2	HARTING	D-Sub 9-pole female straight assembly	Title				Doc-Key / ECM-Nr.
09661517512	4-40UNC	PL3							100592257/UGD/000/B 500000246867
Part number	Nut thread	Performance level	D-32339 Espelkamp		Type	Number		Rev.	Page
					TB	0966151X51X		B	1/1