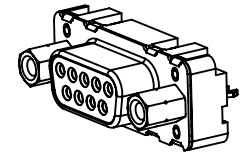
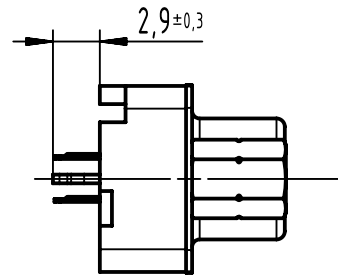
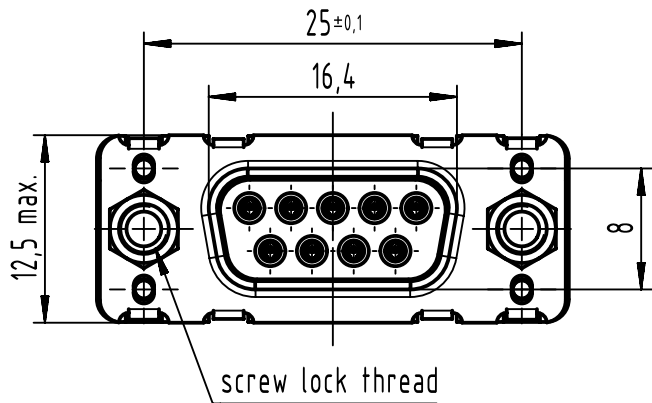


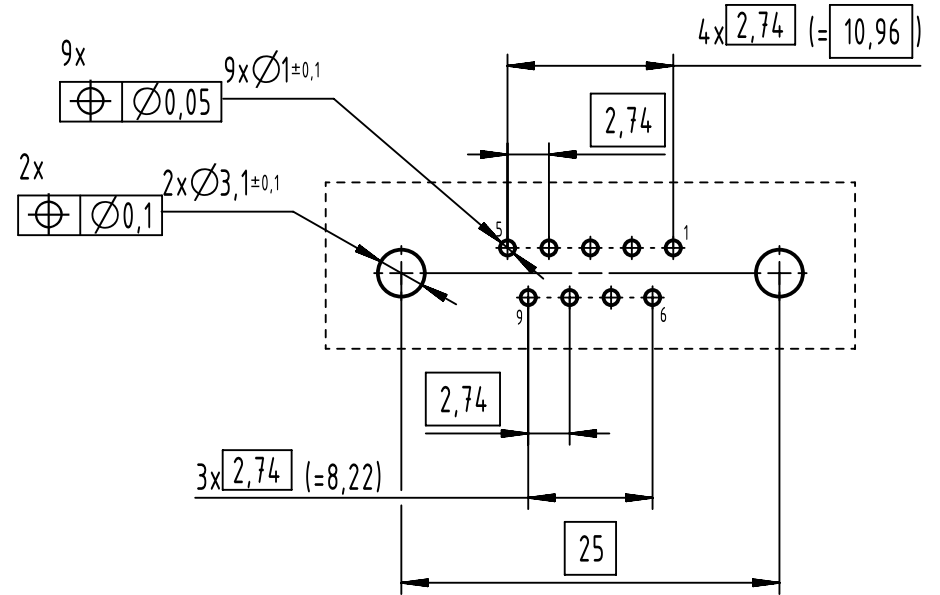
1 2 3 4 5 6

A

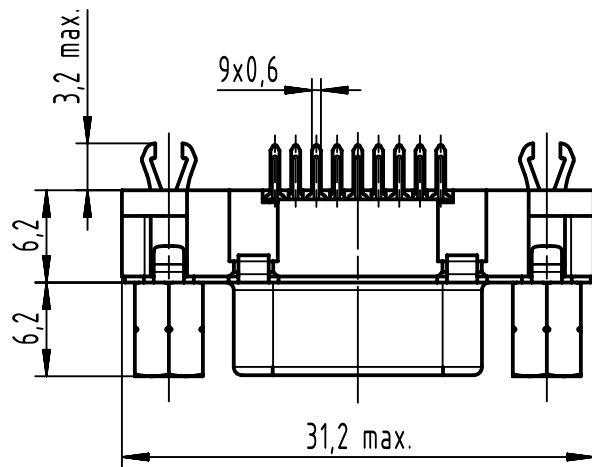


PCB layout component side
recommended thickness 1,6

B

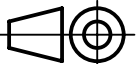



C



Connection retention and insertion forces on PC-Board: 25 N / 80 N

D

09661513533	M3	PL1	 All Dimensions in mm Original Size DIN A4	Scale 2:1	Free size tol.		Ref.	
09661516533	M3	PL2		Created by ZHUANGJ	Inspected by LUOK	Standardisation ROEBEN	Date 2023-11-16	State Final Release
09661517533	M3	PL3	 All rights reserved Department EL PD	Title D-Sub 9-pole Female Straight			Doc-Key / ECM-Nr. 100507025/UGD/001/C 500000257822	
09661513513	4-40 UNC	PL1		Type TB			Number 0966151X5X3	Rev. C
09661516513	4-40 UNC	PL2	HARTING D-32339 Espelkamp					
09661517513	4-40 UNC	PL3						
Part number	Scew lock thread	Performance level						