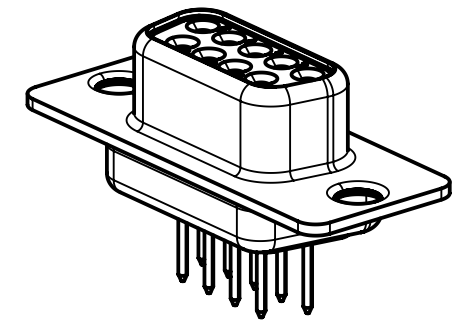
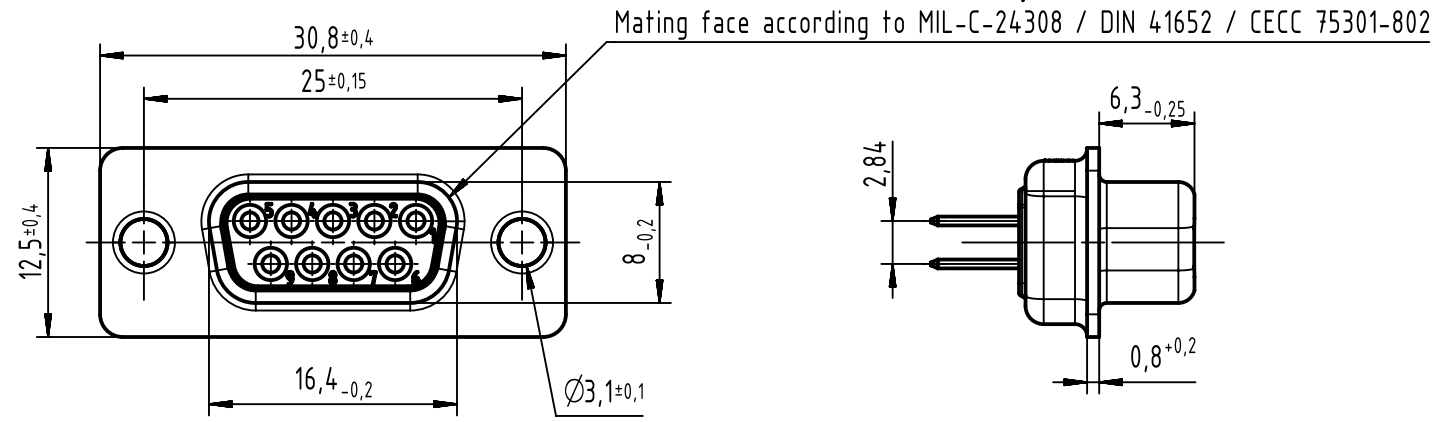
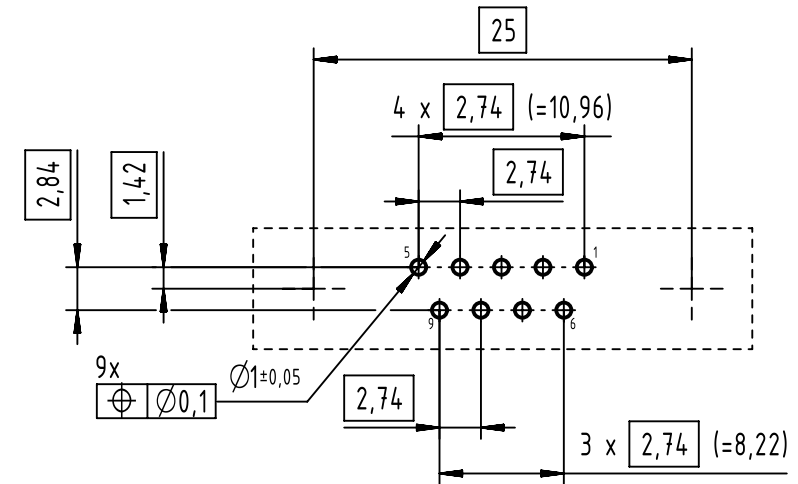
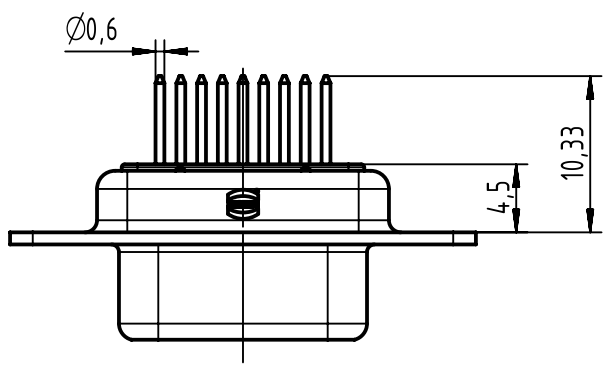


A



B

PCB layout view component side



C

D

	All rights reserved Department EL PD	All Dimensions in mm Original Size DIN A4		Scale 2:1	Free size tol.		Ref.
		HARTING Electronics GmbH D-32339 Espelkamp	Created by ZHUANGJ	Inspected by LUOK	Standardisation HOFFMANN	Date 2018-05-02	State Final Release
Title D-Sub female 9-pole straight assembly		Type TB		Number 0967009475X		Rev. B	Page 1/1

09 67 009 4755	PL2
09 67 009 4754	PL3
Part number	Performance level