

1 cable entry

Cover screw ST2,2 X 12,0  
Type H philips

Screw for cable clamp ST2,2  
Type H philips

Cable clamp

Thread size  
(Optional)

Screw type  
(Optional)

Screw type

04

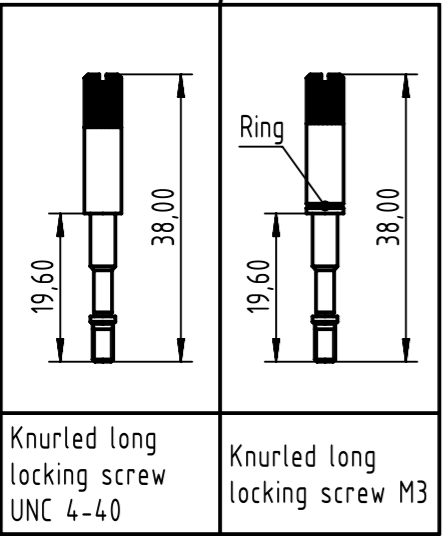
02

05

06

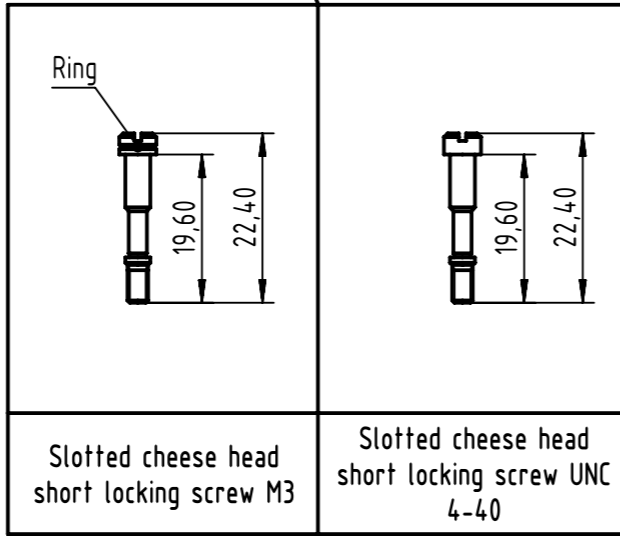
03

01



Knurled long locking screw  
UNC 4-40

Knurled long locking screw M3



Slotted cheese head short locking screw M3

Slotted cheese head short locking screw UNC 4-40

09 67 015 04X2			
09 67 015 0492	M3	Long locking screw	With ring
09 67 015 0432	4-40 UNC		Without ring
09 67 015 0482	M3	Short locking screw	With ring
09 67 015 0442	4-40 UNC		Without ring
Part number	Screw size	Screw type	Identification for locking screw

Content D-Sub hood			Spare parts (MOQ100)	
Pos.	Quantity	Description	Part Number	Quantity
01	1	Bottom hood		
02	1	Top cover		
03	2	Locking screw:(Preassembled)		
		either slotted cheese head short locking screw 4-40 UNC( for 0967 015 0442)		
		or slotted cheese head short locking screw M3(for 0967 015 0482)		
		or knurled long locking screw 4-40 UNC(for 0967 015 0432)		
		or knurled long locking screw M3(for 0967 015 0492)		
04	2	Cover screw ST2,2		
05	2	Clamp screw ST2,2	0967 000 9944	1
06	1	Cable clamp	0967 000 9942	1

		All Dimensions in mm Original Size DIN A3		Scale 1:1	Free size tol.	Ref. Sub.
All rights reserved Department EL PD		Created by ZENGO	Inspected by LUOK	Standardisation ROEBEN	Date 2022-01-21	State Final Release
HARTING D-32339 Espelkamp		Title D-Sub plastic hood 15-pole with locking screws				Doc-Key / ECM-Nr. 100847192/UGD/001/D 50000208988
		Type TB	Number 096701504X2		Rev. D	Page 1/1