

5

4

3

2

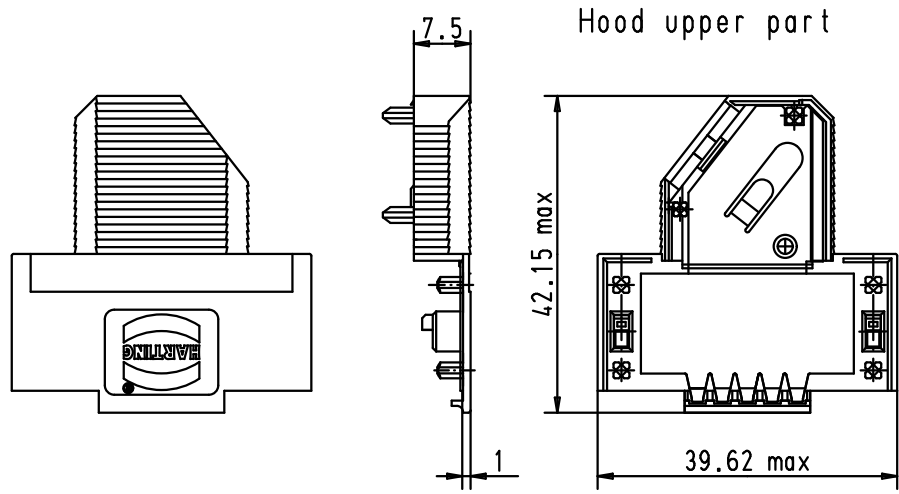
1

D

C

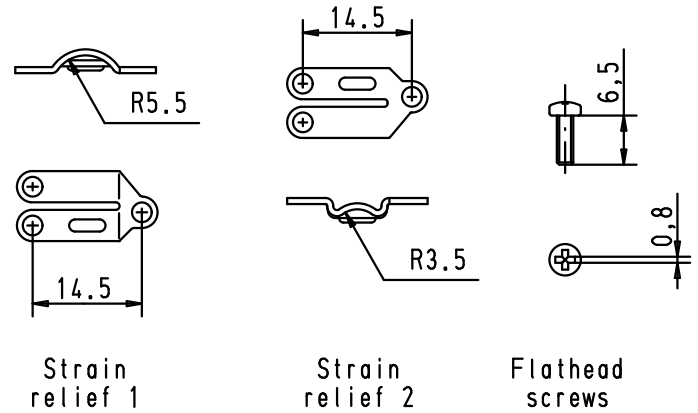
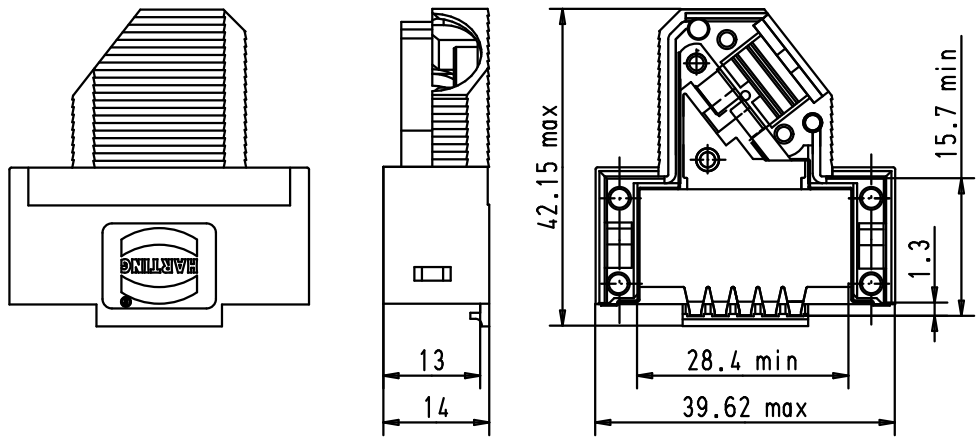
B

A



Hood upper part



Hood lower part



Strain relief 1

Strain relief 2

Flathead screws

				Dat.	Name	 All Dim. in mm Orig. Size DIN A 4	D-Sub Hoods 15 POLES SHIELDED	Maßstab/ Scale 1:1
			Detail.	27/02/03	S.H.			
			Insp.					
			Stand.					
EC01696	20/04/10	SC	HARTING EURL				TB 09 67 015 0573	Blatt/ Page 1 / 1
31392	27/02/03	S.H.	F-95972 Paris					
Mod.	Dat.	Name						