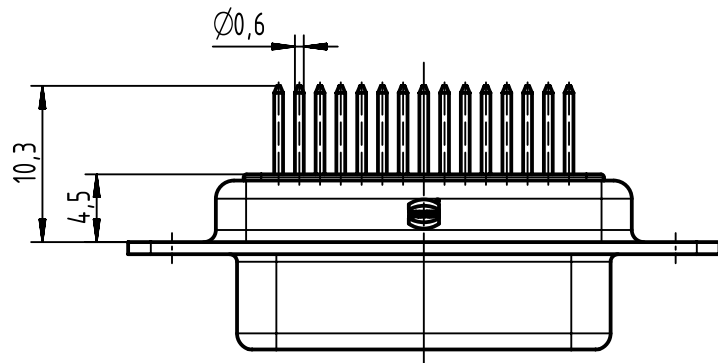
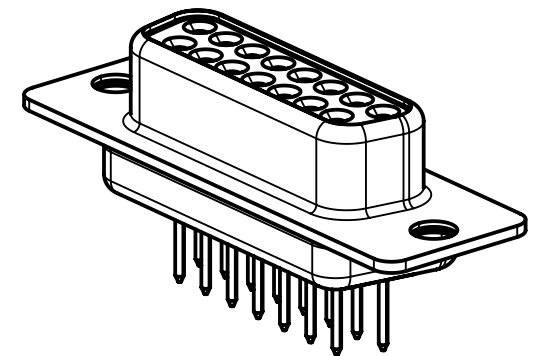
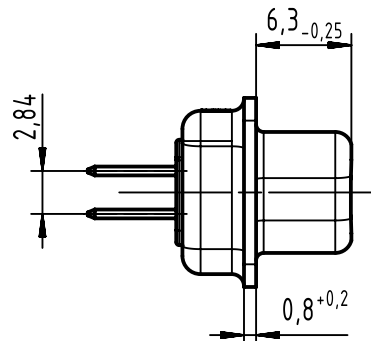
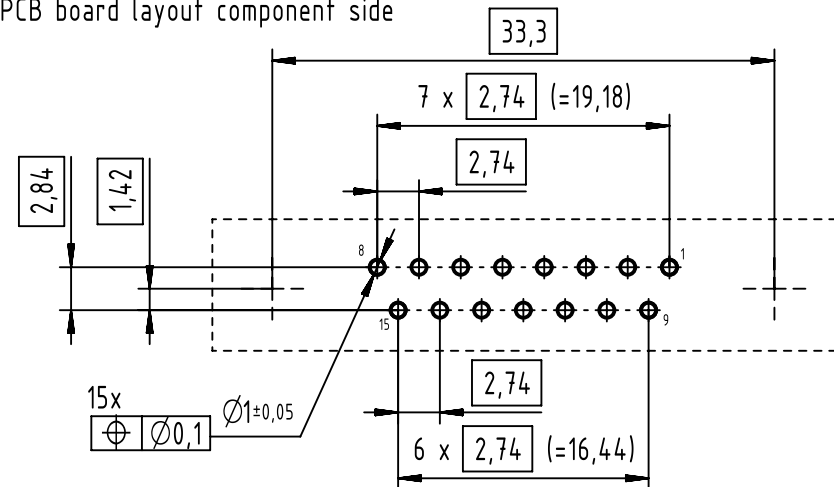


Mating face according to MIL-C-24308 / DIN 41652 / CECC 75301-802



PCB board layout component side



	All Dimensions in mm Original Size DIN A4	Scale 2:1	Free size tol.		Ref.		
		All rights reserved	Created by ZHUANGJ	Inspected by LUOK	Standardisation HOFFMANN	Date 2018-05-02	State Final Release
Department EL PD		Title D-Sub female 15-pole straight assembly			Doc-Key / ECM-Nr. 100577982/UGD/000/B 500000132564		
HARTING Electronics GmbH		Type TB	Number 0967015475X			Rev. B	Page 1/1
D-32339 Espelkamp							

09 67 015 4755	PL2
09 67 015 4754	PL3
Part number	Performance level