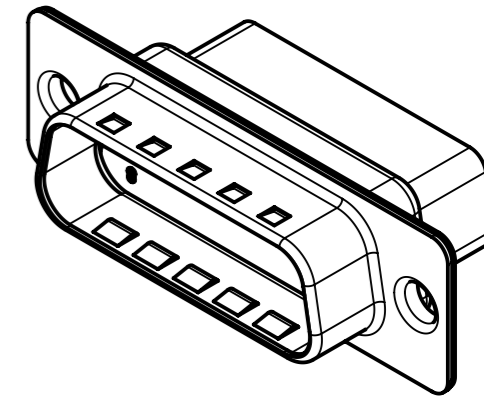
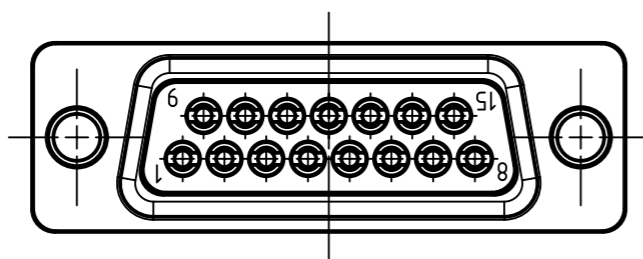
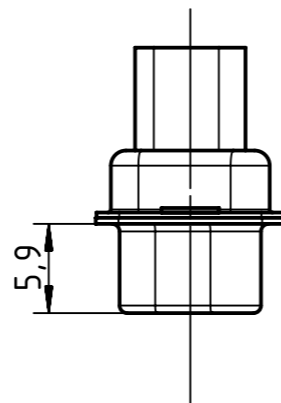
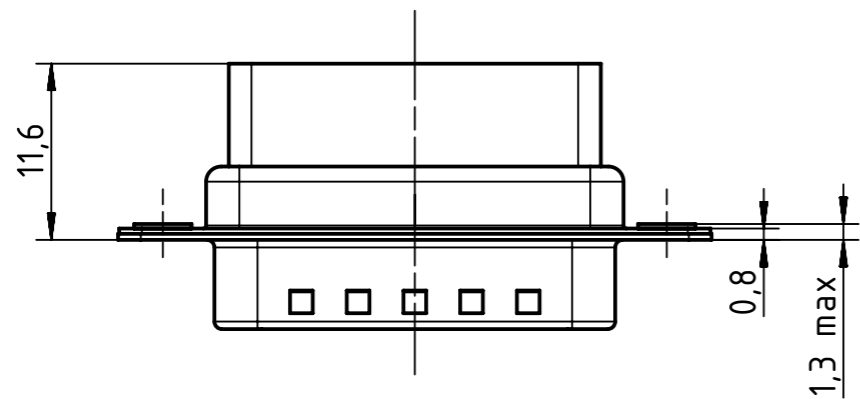
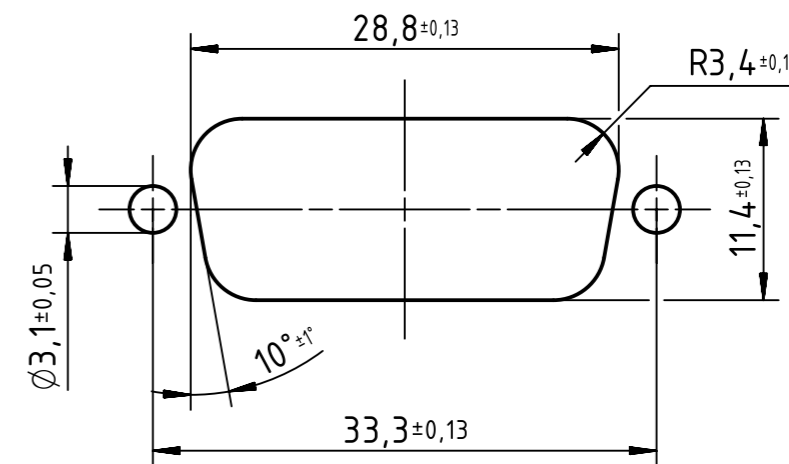


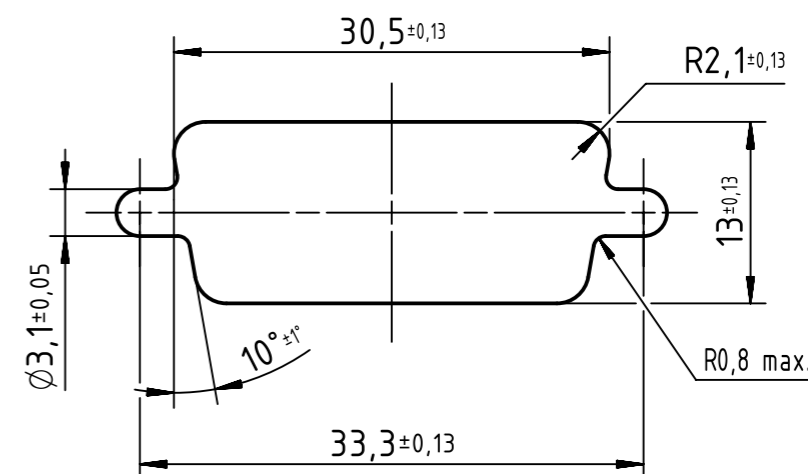
Mating face according to CECC 75301-802



Rear mounting panel cut out



Front mounting panel cut out



	All rights reserved		Created by ZHUANGJ		Inspected by LUOK	Standardisation HOFFMANN	Date 2017-04-06	State Final Release
	Department EC PD - CN		Title D-Sub crimp 15-pole male assembly		Doc-Key / ECM-Nr. 100235540/UGD/001/B 500000117639		Rev. B	Page 1/1
HARTING Electronics GmbH		Type TB		Number 09670155601				
D-32339 Espelkamp								