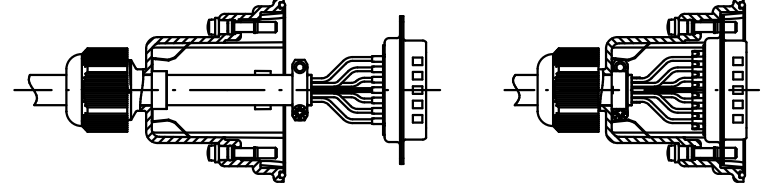


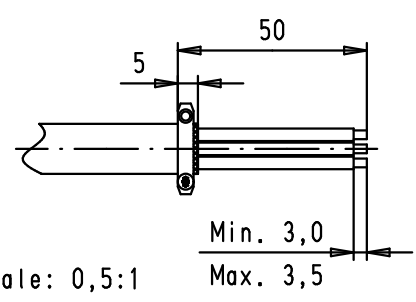
**Not mounted parts :**

**Mounting instructions:**  
 -The peeled back cable braiding must not extend over the cable clamp, in order not to damage the gasket or to impair its performance

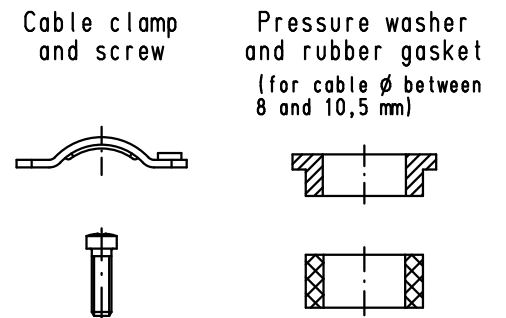


- Pull back cable until cable clamp snaps into shielding plate
- Snap connector into hood

**Stripping dimensions:**



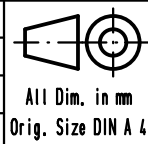
Scale: 0,5:1



-For rear mounted mating connectors, panel thickness is comprised between 1 and 2 mm for safe contact area  
 -Max. torques are 0,4 N.m

09 67 025 0539	M3
09 67 025 0538	4-40 UNC
Part number	Mounting screw thread

			Dot.	Name
			Detail.	23/07/08 PK
			Insp.	28/10/11 JB
EC03999	28/10/11	SD	Stand.	
35427	15/12/08	PK		
35091	23/07/08	PK		
Mod.	Dot.	Name	HARTING EURL F-95972 Paris	



All Dim. in mm  
 Orig. Size DIN A 4



D-Sub, metallized plastic hood, waterproof IP67, 25 poles, top cable entry with nut

**TB 09 67 025 053X**

Maßstab/  
Scale  
1:1  
Blatt/ Page  
1/1