

5

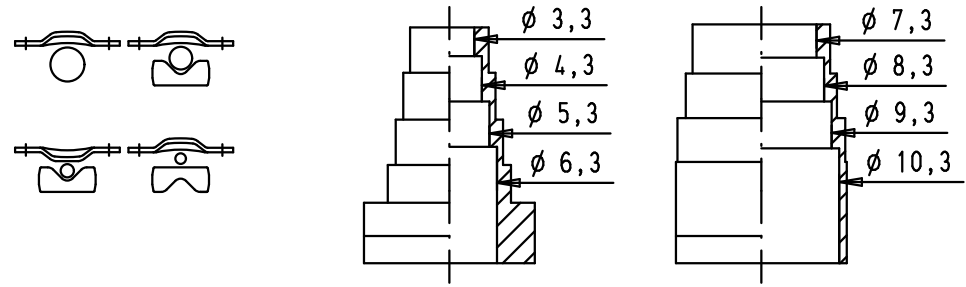
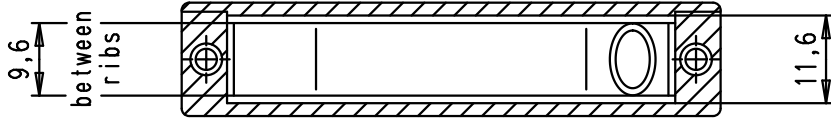
4

3

2

1

Cable diameters (scale: 2:1)

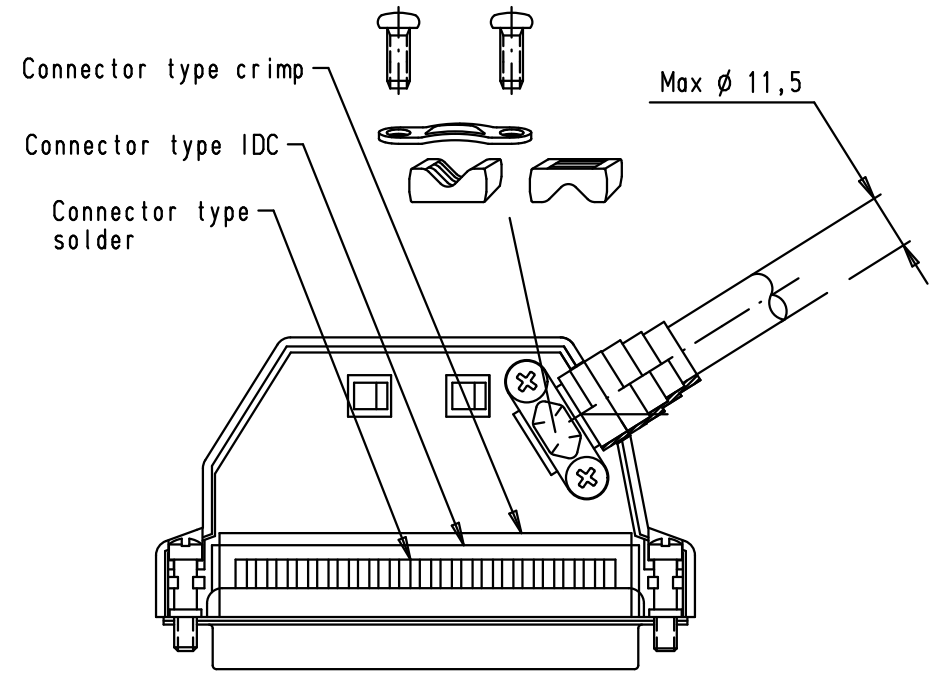
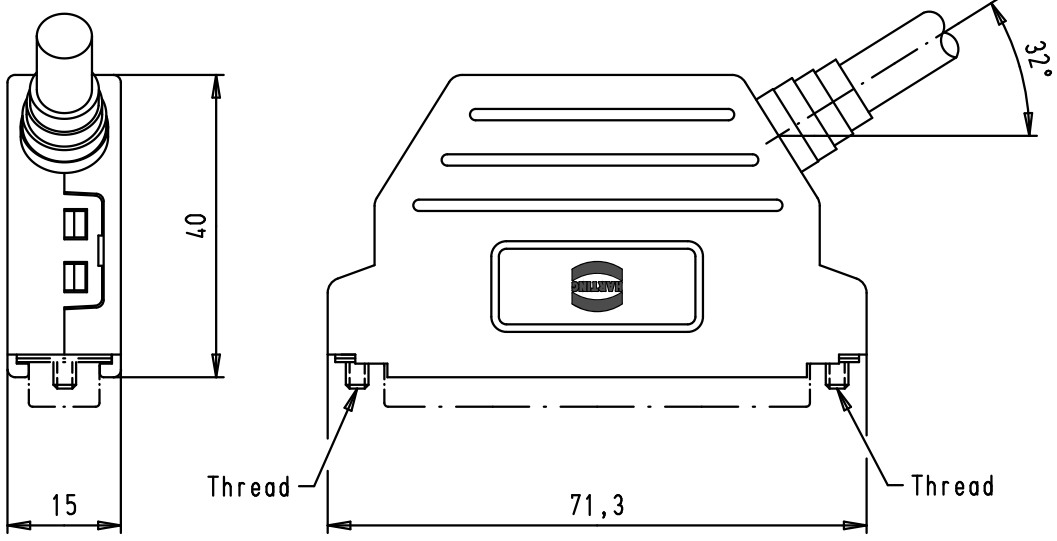


D

C

B

A



09 67 037 0465	4-40 UNC
09 67 037 0464	M3
Part number	Thread

				Dat.	Name		D-Sub, 37 poles, metallized, top/side entry, short screws	Maßstab/ Scale 1:1 2:1	
				Detail.	03/03/11				SC
				Insp.	03/03/11				JB
				Stand.					
EC02948				HARTING EURL F-95972 Paris				TB 09 67 037 046X	Blatt/ Page 2 / 2
Mod.	Dat.	Name				Sub.			