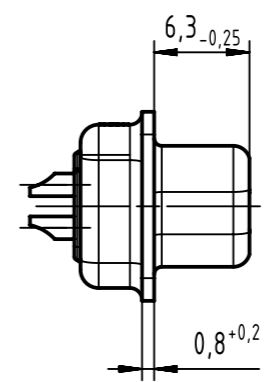
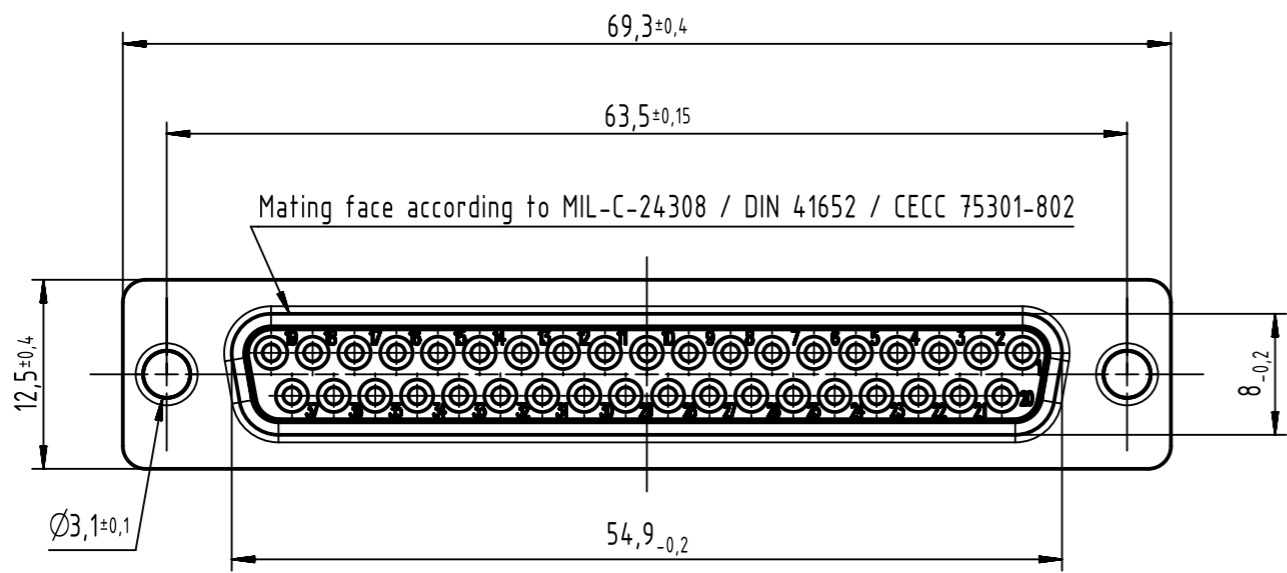


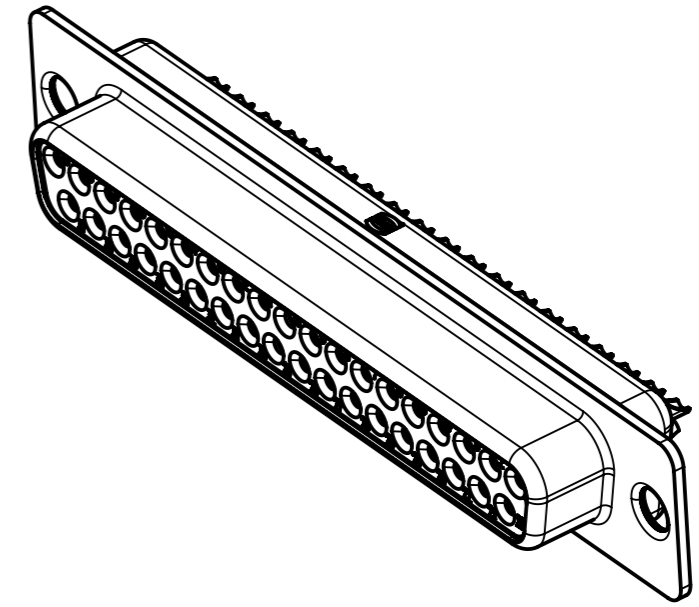
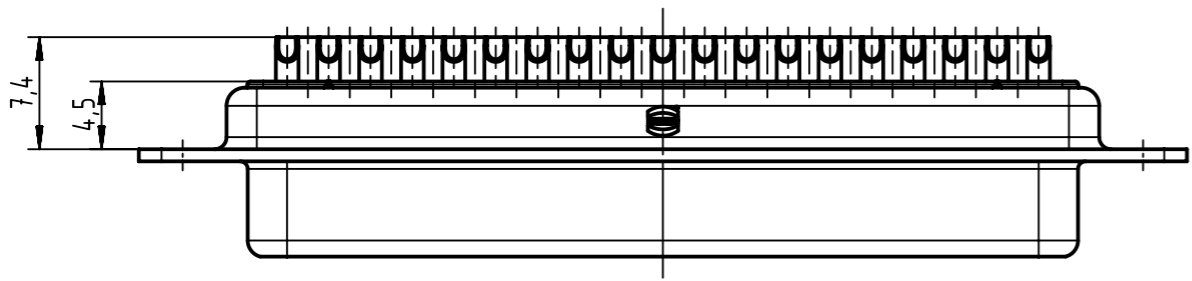
1 2 3 4 5 6 7 8

A



B

C



D

E

0967 037 4704	PL3
0967 037 4715 050	S4
0967 037 4715 211	PL2
0967 037 4715	PL2
Part number	Performance level

	All rights reserved		Scale 2:1 Free size tol.		Ref. Sub.	
	Department EL PD		Created by ZHUANGJ Inspected by LUOK	Standardisation HOFFMANN	Date 2018-05-02	State Final Release
HARTING Electronics GmbH D-32339 Espelkamp			Title D-Sub female 37-pole straight solder buckets			Doc-Key / ECM-Nr. 100775589/UGD/000/A 500000132564
		Type TB	Number 096703747XX		Rev. A	Page 1/1

F

1 2 3 4 5 6 7 8