

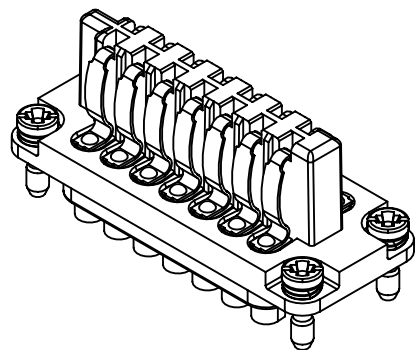
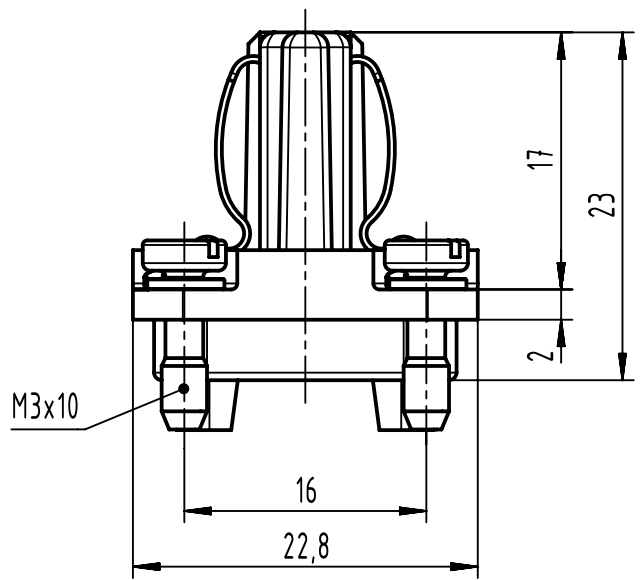
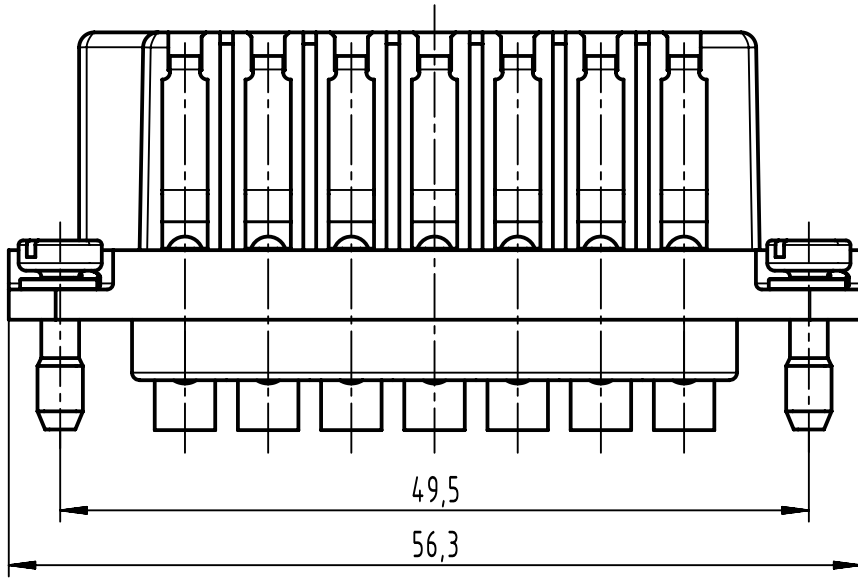
1 2 3 4 5 6


A

B

C

D



	All Dimensions in mm Original Size DIN A4		Scale 2:1	Free size tol.		Ref.	
	All rights reserved Department EL PD		Created by HOLLERT	Inspected by NICHTERLEIN	Standardisation	Date 2023-03-06	State Final Release
HARTING D-32339 Espelkamp		Title STAF 14 FE-L				Doc-Key / ECM-Nr. 100131687/UGD/003/A 500000238089	
		Type TB	Number 09 70 014 2810			Rev. A	Page 1/1