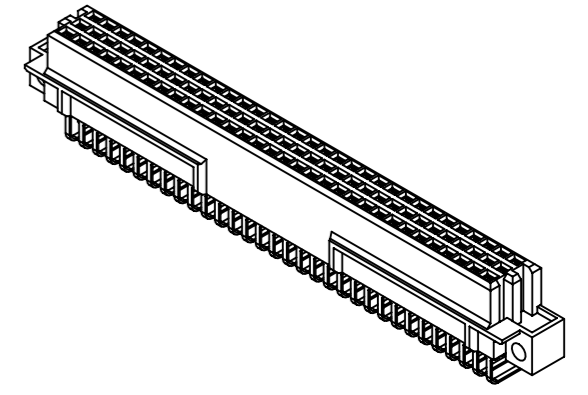
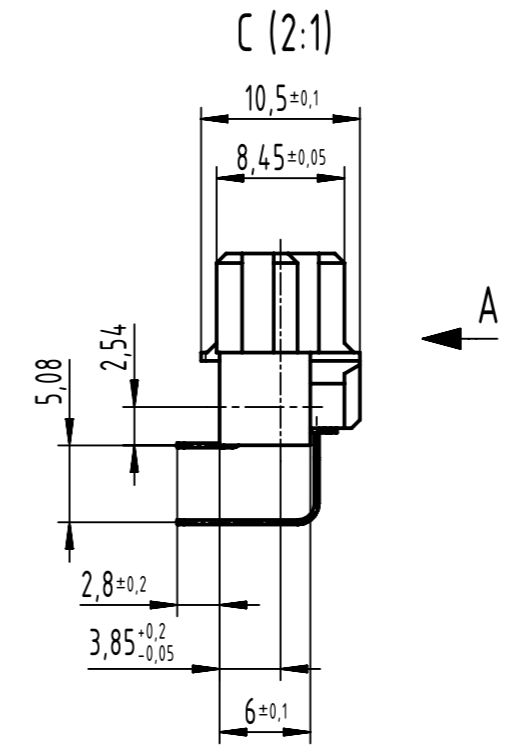
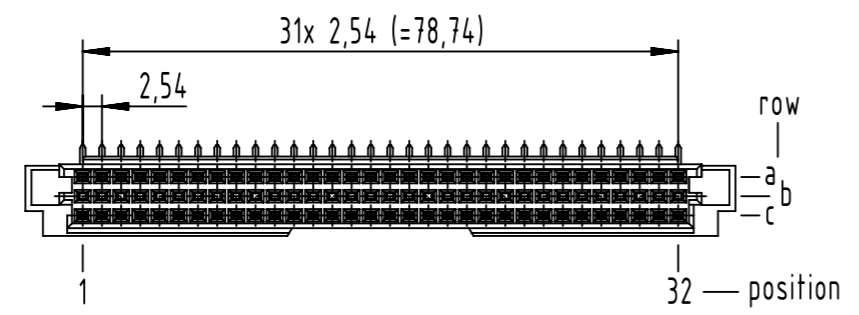
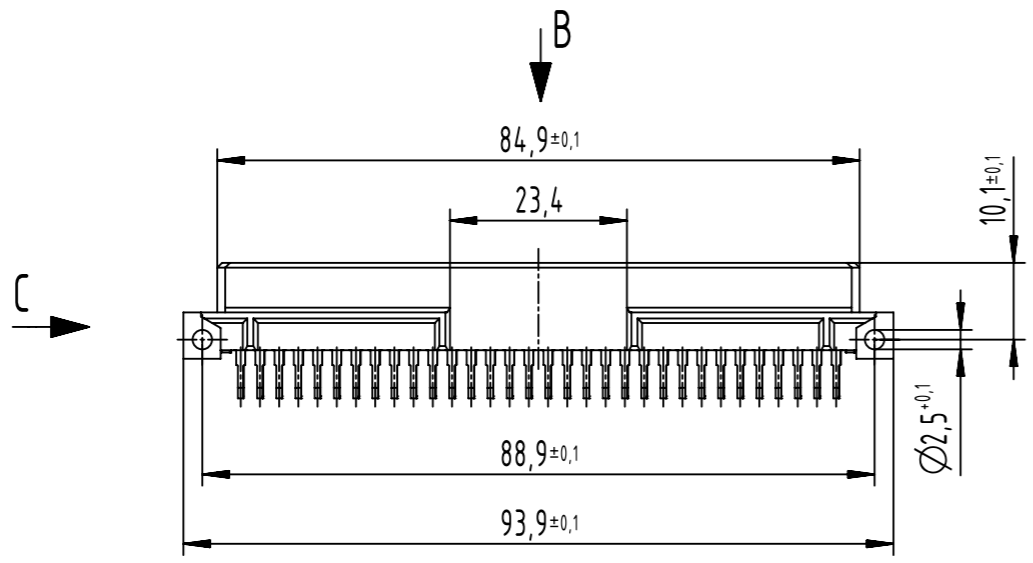


64 signal contacts
 ☒ = position with contact
 ☐ = position without contact



09 73 264 7801	3
09 73 264 6801	2
09 73 264 2801	1
part no.	performance level

further information see product data sheet

	All Dimensions in mm Original Size DIN A3	Scale 1:1	Free size tol. IEC 60603-2	Ref. Sub.
	All rights reserved Department EL PD	Created by STORCK	Inspected by LEHNERT	Standardisation
HARTING D-32339 Espelkamp	Title DIN Signal type R female solder angled 64-pole			Doc-Key / ECM-Nr. 100104712/UGD/043/C 50000230199
	Type TB	Number 0973264X801	Rev. C	Page 1/1