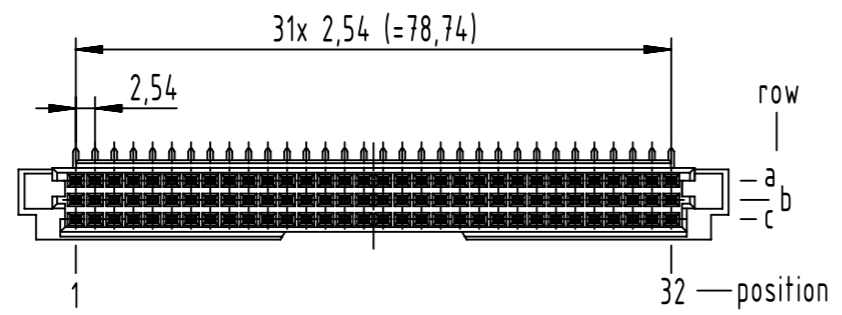
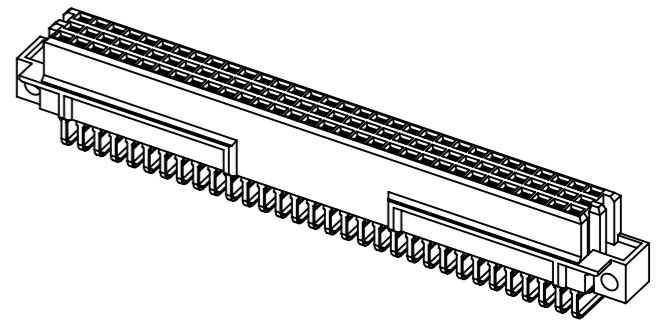
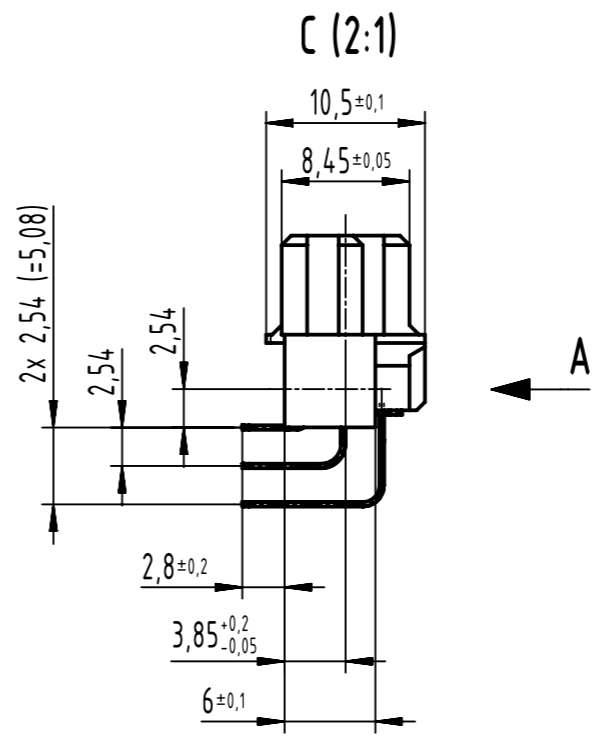
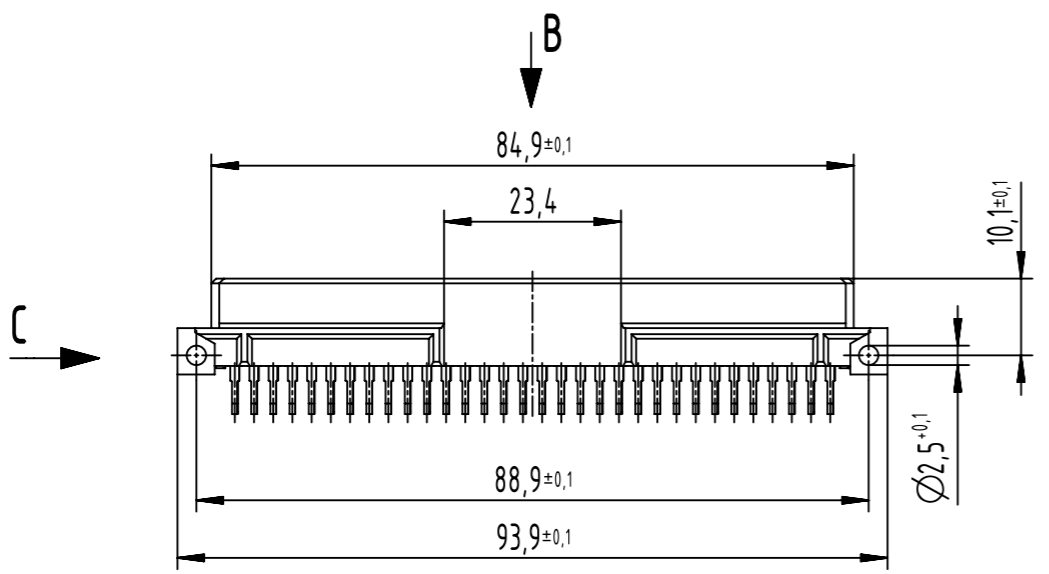
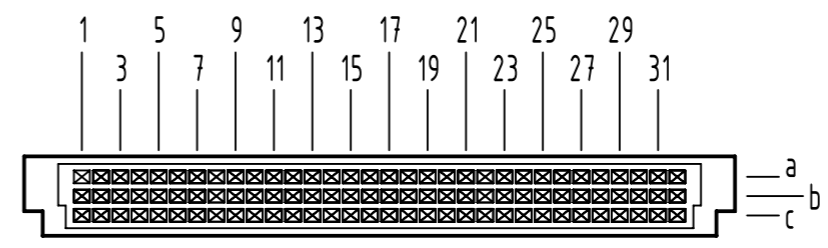


A
board drillings

B
contact arrangement

96 signal contacts
 ☒ = position with contact
 □ = position without contact



further information see product data sheet

09 73 296 7801	3
09 73 296 6801	2
09 73 296 2801	1
part no.	performance level

All rights reserved Department EL PD HARTING D-32339 Espelkamp	All Dimensions in mm Original Size DIN A3	Scale 1:1 Free size tol. IEC 60603-2	Ref. Sub.	Created by STORCK	Inspected by LEHNERT	Standardisation	Date 2023-10-18	State Final Release	Doc-Key / ECM-Nr. 100104712/UGD/067/E 500000230199
	Title DIN Signal type R female solder angled 96-pole	Type TB	Number 0973296X801	Rev. E	Page 1/1				