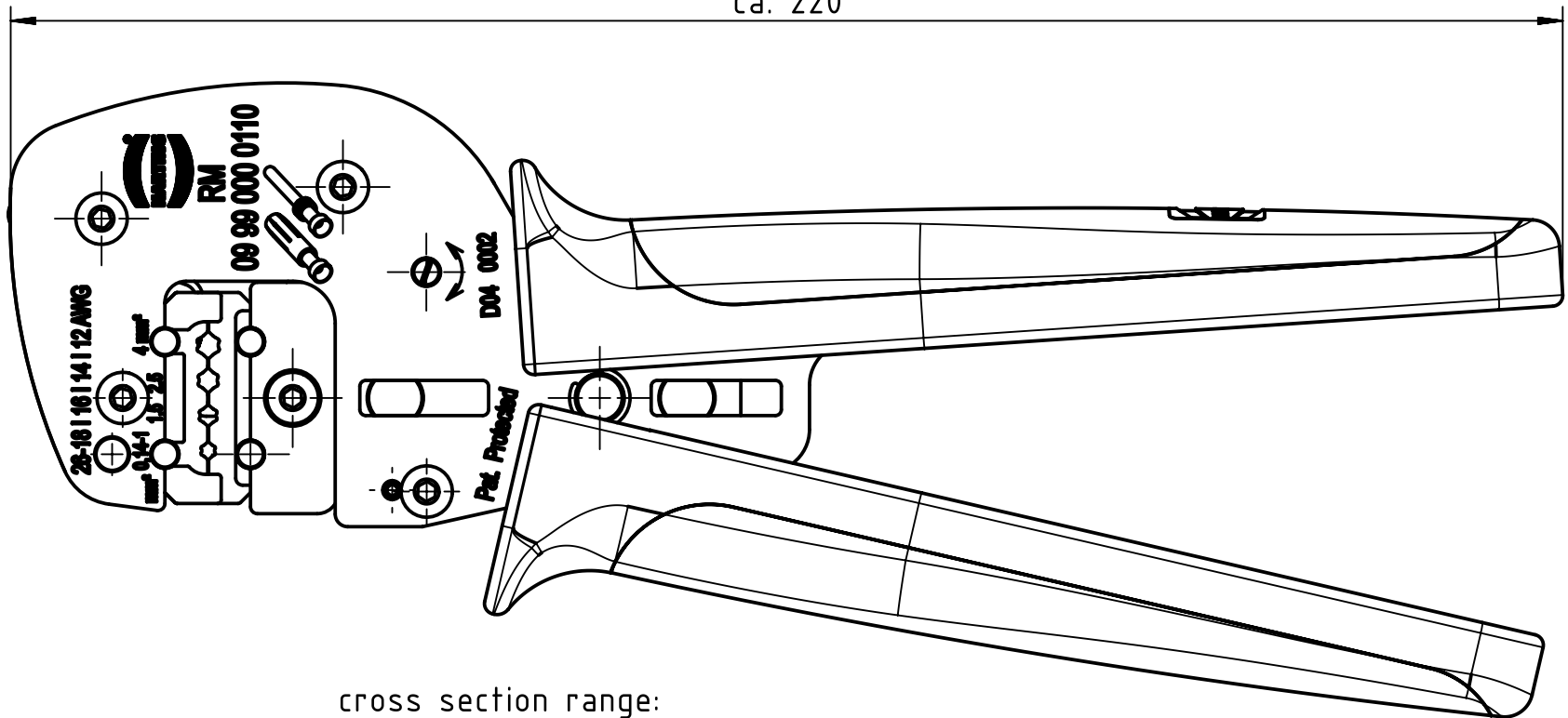
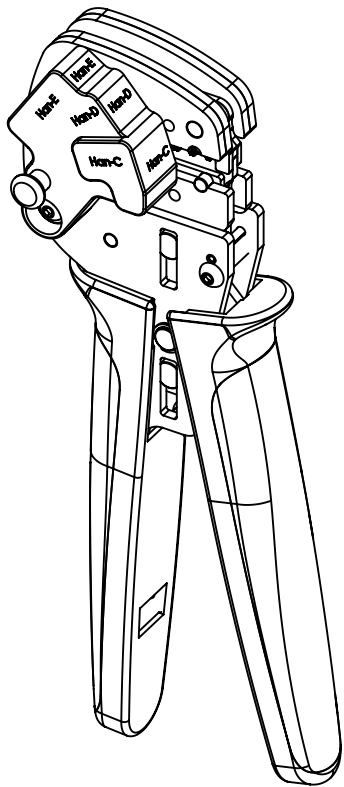


1 2 3 4 5 6

ca. 220



cross section range:

- Profil 1 0,14-1,0mm² / AWG 26-18
- Profil 2 1,5mm² / AWG 16
- Profil 3 2,5mm² / AWG 14
- Profil 4 4,0mm² / AWG 12

- Han D 0,14-1,5mm²
- Han E 0,5-4mm²
- Han C 1,5-4mm²

	All Dimensions in mm Original Size DIN A4		Scale 1:1	Free size tol.		Ref.
						Sub.
	All rights reserved		Created by RULLKOETTER	Inspected by SCHNIEDER	Standardisation RUETERA	Date 2018-05-28
	Department EL PD		Title Han Hand Crimp Tool			State Final Release
HARTING Electric GmbH & Co. KG D-32339 Espelkamp			Type TB	Number 09 99 000 0110		Doc-Key / ECM-Nr. 100090805/UGD/006/B 500000135696
					Rev. B	Page 1/1