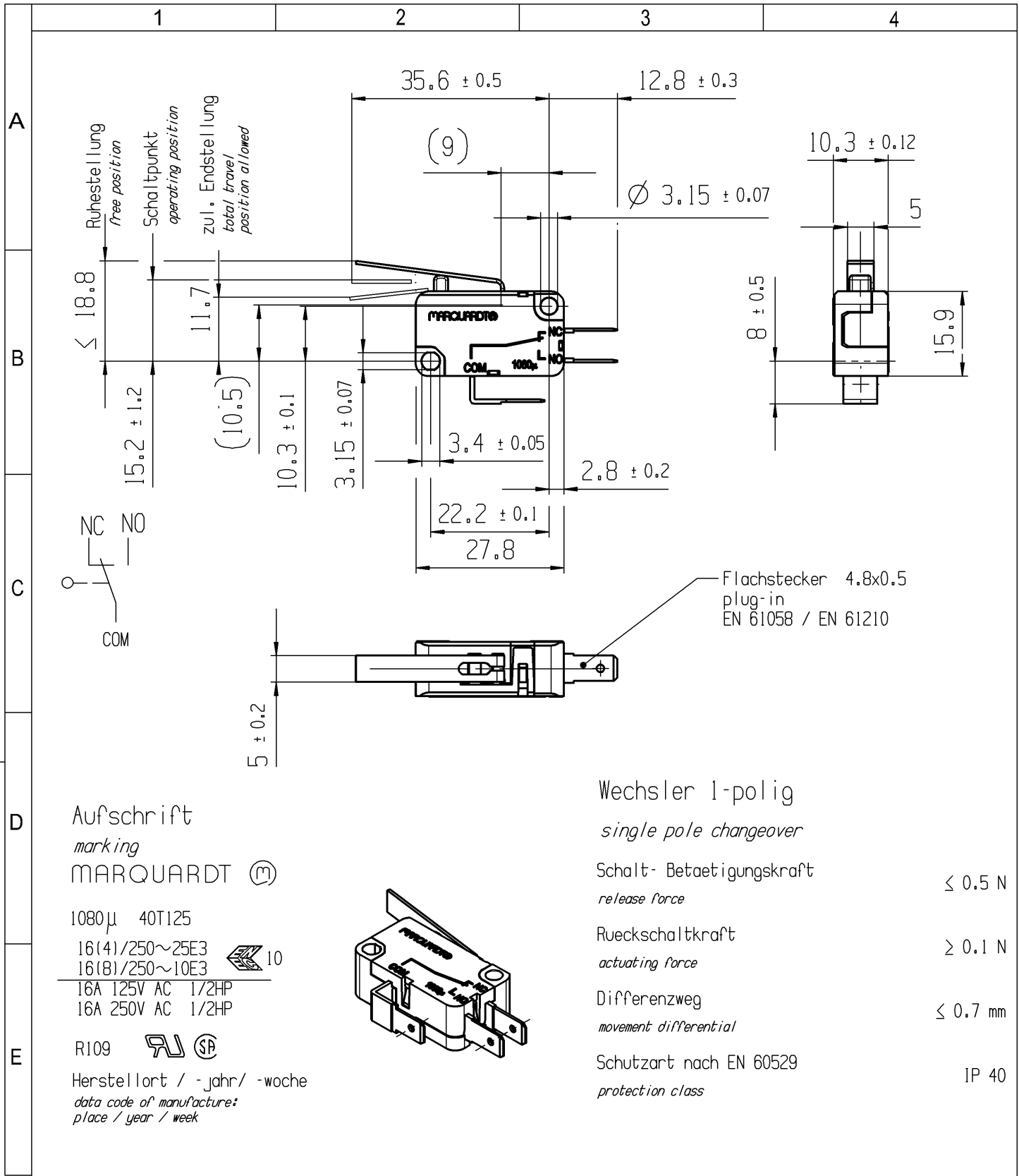


CONFIDENTIAL

VERTRAULICH

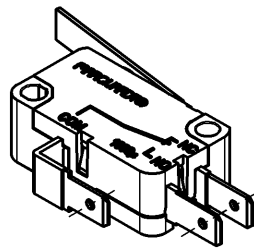
THIS DRAWING IS THE EXCLUSIVE PROPERTY OF MARQUARDT. WITHOUT THEIR CONSENT IT MAY NOT BE REPRODUCED OR GIVEN TO THIRD PARTIES.



Aufschrift
marking
MARQUARDT

1080µ 40T125
16(4)/250~25E3 10
16(8)/250~10E3
16A 125V AC 1/2HP
16A 250V AC 1/2HP

R109
Herstellort / -jahr / -woche
data code of manufacture:
place / year / week



Wechsler 1-polig
single pole changeover

Schalt- Betaetigungskraft
release force ≤ 0.5 N

Rueckschaltkraft
actuating force ≥ 0.1 N

Differenzweg
movement differential ≤ 0.7 mm

Schutzart nach EN 60529
protection class IP 40

Alle Rechte bei Marquardt, auch fuer den Fall von Schutzrechtsanmeldungen. Jede Veruegungsbefugnis, wie Kopier- und Weitergaberecht, bei uns.

-	-	-	1080.5906-XX					
Figure	Type	Customer No.	Art.No.-PI					
General tolerances		Sheet 01	Ident. K					
All dimensions are in millimetres	Shape and location	Angle $\pm 2^\circ$	Edge tolerance	Length	Radii	Document number 10805906	Index c	
				0-6	± 0.1	± 0.2		snap action switch
				>6-15	± 0.15	± 0.3		
				>15-30	± 0.2	± 0.5		
				>30-70	± 0.3	$\pm 10\%$		
				>70-120	± 0.4			
>120	± 0.8							
c	123519	2019-05-29	TRIGUIK	Format DIN A4	Projection	Scale 1:1	Replacement of Zg.gl.Nr.v.21.08.2006	
b	111666	2017-09-15	TRIGUIK	System NX V11.0				
a	63606	2009-07-13	MTR					
	48684	2006-08-21	RON					
Index	MEC-No.	Date (YYYY-MM-DD)	Edited by	MARQUARDT				