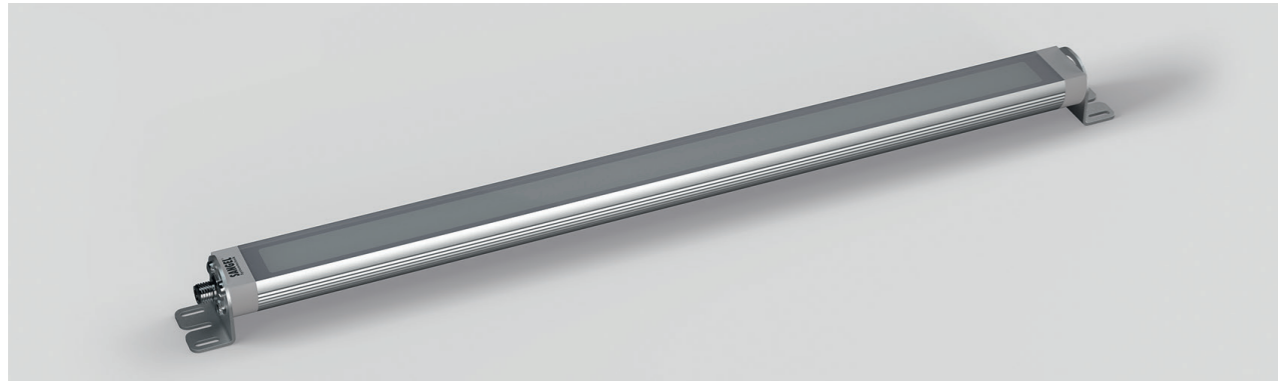


LED Aufbauleuchte LR40 540

LED surface mtd. luminaire LR40 540

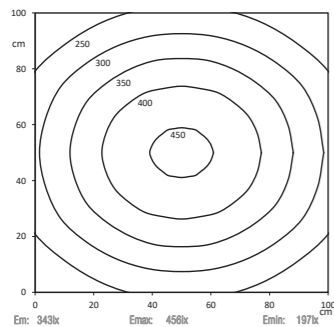
LED Maschinenleuchte in Linienform mit 24V Betriebsspannung
LED machine luminaire line shaped with 24V operating voltage.



Lichtverteilung | Light distribution

Lichtpunkthöhe | Metering distance: 100cm

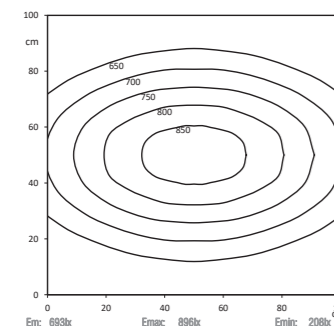
LED LR40 540



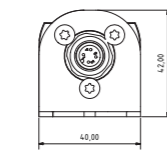
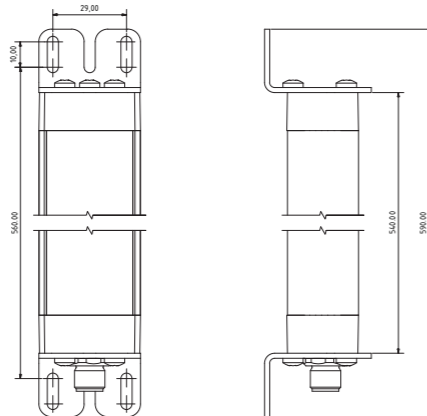
Lichtpunkthöhe | Metering distance: 100cm

LED LR40 540

30°



Dimensionierung | Dimensions



Technische Daten | Technical data

Leistung: Power:	15,1W 15,1W
Anschlusswert: Connection value:	24V DC (-10%/+15%) 24V DC (-10%/+15%)
Anschluss Connection type:	Steckverbinder M12 5pol. A codiert connector M12 5pol. A coded
Gehäuse: Housing:	Aluminium eloxiert anodized aluminium
Schutzart: Protection rating:	IP67 IP67
Schutzklasse: Protection class:	III III
Abdeckung: Cover: diffuse	PMMA oder ESG diffus safety glass or PMMA diffuse
Farbtreue: Color rendering:	Ra / CRI ≥ 80 Ra / CRI ≥ 80
Lebensdauer: Durability:	min. 60 000h min. 60 000h
Max. Umgebungstemperatur: Max. ambient temperature:	-20°C / +45°C -20°C / +45°C
Optik: Optics:	120° Optik 120° optics
Belegung: Pin assignment:	1 = DC (+) br br 2 = Eco (DC+) ws wh 3 = DC (-) bl bl 4 = NC 5 = NC

Normen / Approbationen Standards / Approvals

DIN EN 55015 (EMV)
DIN EN 61547 (EMV)
DIN EN 60598-1
DIN EN 62471



Nomenklatur Nomenclature	Katalognr. Catalogue no.	Abdeckung Cover	Optik Optics	Lichtstrom Luminous flux	Lichttemperatur Light temp.
-----------------------------	-----------------------------	--------------------	-----------------	-----------------------------	--------------------------------

Drehbare Halterung | Turnable mounting

LED LR40 540 PMMA-d-0-M12-57	15070537	PMMA diffus PMMA diffuse	120° Optik 120° optics	ca. 1660 lm	5.700K
LED LR40 540 ESGd-0-M12-57	15070538	ESGd diffus safety glass diffuse	120° Optik 120° optics	ca. 1660 lm	5.700K
LED LR40 540 PMMA-d-0-M12-40	15070541	PMMA diffus PMMA diffuse	120° Optik 120° optics	ca. 1660 lm	4.000K
LED LR40 540 ESGd-0-M12-40	15070542	ESGd diffus safety glass diffuse	120° Optik 120° optics	ca. 1660 lm	4.000K
LED LR40 540 ESGd-30-M12-57	15070608	ESGd diffus safety glass diffuse	30° Optik 30° optics	ca. 1660 lm	5.700K
LED LR40 540 ESGd-30-M12-40	15070610	ESGd diffus safety glass diffuse	30° Optik 30° optics	ca. 1660 lm	4.000K
LED LR40 540 ESGd-60-M12-57	15070612	ESGd diffus safety glass diffuse	60° Optik 60° optics	ca. 1660 lm	5.700K
LED LR40 540 ESGd-60-M12-40	15070614	ESGd diffus safety glass diffuse	60° Optik 60° optics	ca. 1660 lm	4.000K

Drehbare Halterung mit zweitem Flansch zum Durchschleifen | Turnable mounting with second flange for loop through

LED LR40 540 PMMA-d-0-M12D-57	15070742	PMMA diffus PMMA diffuse	120° Optik 120° optics	ca. 1660 lm	5.700K
LED LR40 540 ESGd-0-M12D-57	15070743	ESGd diffus safety glass diffuse	120° Optik 120° optics	ca. 1660 lm	5.700K
LED LR40 540 PMMA-d-0-M12D-40	15070744	PMMA diffus PMMA diffuse	120° Optik 120° optics	ca. 1660 lm	4.000K
LED LR40 540 ESGd-0-M12D-40	15070745	ESGd diffus safety glass diffuse	120° Optik 120° optics	ca. 1660 lm	4.000K
LED LR40 540 ESGd-30-M12D-57	15070758	ESGd diffus safety glass diffuse	30° Optik 30° optics	ca. 1660 lm	5.700K
LED LR40 540 ESGd-30-M12D-40	15070759	ESGd diffus safety glass diffuse	30° Optik 30° optics	ca. 1660 lm	4.000K
LED LR40 540 ESGd-60-M12D-57	15070760	ESGd diffus safety glass diffuse	60° Optik 60° optics	ca. 1660 lm	5.700K
LED LR40 540 ESGd-60-M12D-40	15070761	ESGd diffus safety glass diffuse	60° Optik 60° optics	ca. 1660 lm	4.000K

Ihr Lieferant



webshop: www.evg.de

info@evg.de

+49 2166 5508-0

REV.1,
23.08.21

SANGEL
Systemtechnik
www.sangel.com

Technische Änderungen vorbehalten. Lichtstrom und Lichtfarbe können variieren.
Subject to technical changes. The luminous flux and colour temperature may vary.

SANGEL
Systemtechnik
www.sangel.com