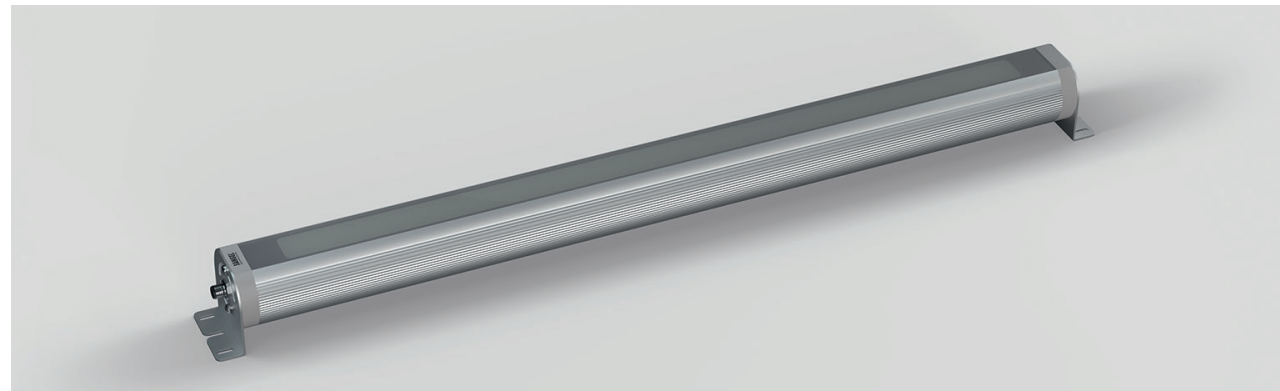


LED Aufbauleuchte LR70 790

LED surface mtd. luminaire LR70 790

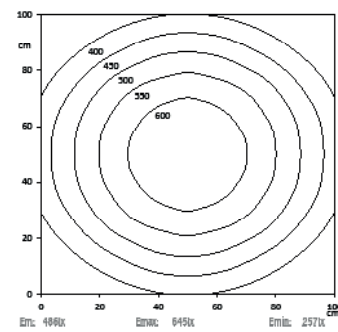
LED Maschinenleuchte in Linienform mit 24V Betriebsspannung
LED machine luminaire line shaped with 24V operating voltage.



Lichtverteilung | Light distribution

Lichtpunkthöhe | Metering distance: 100cm

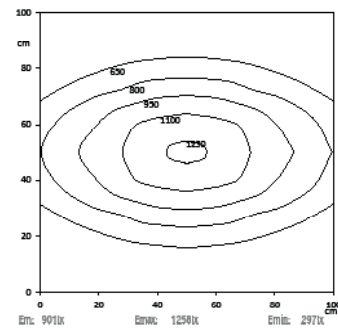
LED LR70 790



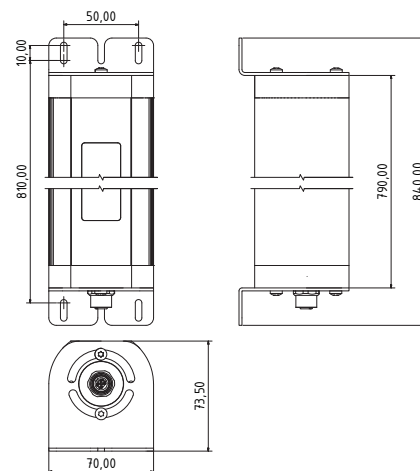
Lichtpunkthöhe | Metering distance: 100cm

LED LR70 790

30°



Dimensionierung | Dimension



Technische Daten | Technical data

Leistung: 22,1W
Power: 22,1W

Anschlusswert: 24V DC (-10%/+15%)
Connection value: 24V DC (-10%/+15%)

Anschluss: Steckverbinder M12 5pol. A codiert
connector M12 5pol. A coded

Connection type:

Gehäuse: Aluminium eloxiert
Housing: anodized aluminium

Schutzart: IP67
Protection rating: IP67

Schutzklasse: III
Protection class: III

Abdeckung: PMMA oder ESGd diffus
safety glass or PMMA diffuse

Cover:

Farbtreue: Ra / CRI ≥ 80
Color rendering: Ra / CRI ≥ 80

Lebensdauer: min. 60 000h
Durability: min. 60 000h

Max. Umgebungstemperatur: -20°C / +45°C
Max. ambient temperature: -20°C / +45°C

Optik: 120° Optik
Optics: 120° optics

Belegung: 1 = DC (+) br | br
Pin assignment: 2 = Eco (DC+) ws | wh
3 = DC (-) bl | bl
4 = NC
5 = NC

Normen / Approbationen

Standards / Approvals
DIN EN 55015 (EMV)
DIN EN 61547 (EMV)
DIN EN 60598-1
DIN EN 62471



Nomenklatur Nomenclature	Katalognr. Catalogue no.	Abdeckung Cover	Optik Optics	Lichtstrom Luminous flux	Lichttemperatur Light temp.
-----------------------------	-----------------------------	--------------------	-----------------	-----------------------------	--------------------------------

Drehbare Halterung | Turnable mounting

LED LR70 790 PMMA-d-0-M12-57	15070648	PMMA diffus PMMA diffuse	120° Optik optics, 120	ca. 2444 lm	5.700K
LED LR70 790 ESGd-0-M12-57	15070649	ESGd diffus safety glass diffuse	120° Optik optics, 120	ca. 2444 lm	5.700K
LED LR70 790 PMMA-d-0-M12-40	15070652	PMMA diffus PMMA diffuse	120° Optik optics, 120	ca. 2444 lm	4.000K
LED LR70 790 ESGd-0-M12-40	15070653	ESGd diffus safety glass diffuse	120° Optik optics, 120	ca. 2444 lm	4.000K
LED LR70 790 ESGd-30-M12-57	15070687	ESGd diffus safety glass diffuse	30° Optik 30° optics	ca. 2444 lm	5.700K
LED LR70 790 ESGd-30-M12-40	15070689	ESGd diffus safety glass diffuse	30° Optik 30° optics	ca. 2444 lm	4.000K
LED LR70 790 ESGd-60-M12-57	15070691	ESGd diffus safety glass diffuse	60° Optik 60° optics	ca. 2444 lm	5.700K
LED LR70 790 ESGd-60-M12-40	15070693	ESGd diffus safety glass diffuse	60° Optik 60° optics	ca. 2444 lm	4.000K

Drehbare Halterung mit zweitem Flansch zum Durchschleifen | Turnable mounting with second flange for loop through

LED LR70 790 PMMA-d-0-M12D-57	15070778	PMMA diffus PMMA diffuse	120° Optik optics, 120	ca. 2444 lm	5.700K
LED LR70 790 ESGd-0-M12D-57	15070733	ESGd diffus safety glass diffuse	120° Optik optics, 120	ca. 2444 lm	5.700K
LED LR70 790 PMMA-d-0-M12D-40	15070780	PMMA diffus PMMA diffuse	120° Optik optics, 120	ca. 2444 lm	4.000K
LED LR70 790 ESGd-0-M12D-40	15070781	ESGd diffus safety glass diffuse	120° Optik optics, 120	ca. 2444 lm	4.000K
LED LR70 790 ESGd-30-M12D-57	15070798	ESGd diffus safety glass diffuse	30° Optik 30° optics	ca. 2444 lm	5.700K
LED LR70 790 ESGd-60-M12D-57	15070799	ESGd diffus safety glass diffuse	60° Optik 60° optics	ca. 2444 lm	5.700K
LED LR70 790 ESGd-30-M12D-40	15070800	ESGd diffus safety glass diffuse	30° Optik 30° optics	ca. 2444 lm	4.000K
LED LR70 790 ESGd-60-M12D-40	15070801	ESGd diffus safety glass diffuse	60° Optik 60° optics	ca. 2444 lm	4.000K

Ihr Lieferant



webshop: www.evg.de

info@evg.de

+49 2166 5508-0

REV.1,
23.08.21

SANGEL
Systemtechnik
www.sangel.com

Technische Änderungen vorbehalten. Lichtstrom und Lichtfarbe können variieren.
Subject to technical changes. The luminous flux and colour temperature may vary.

SANGEL
Systemtechnik
www.sangel.com