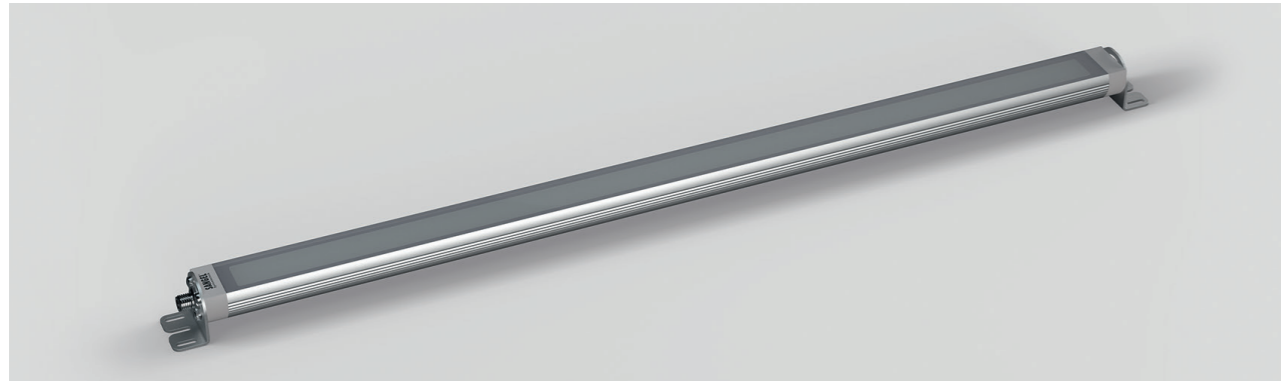


LED Aufbauleuchte LR40 715

LED surface mtd. luminaire LR40 715

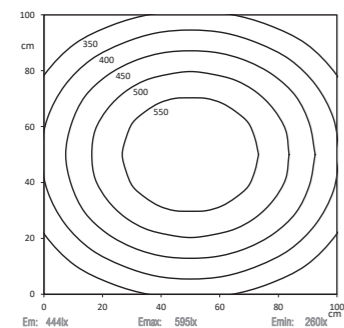
LED Maschinenleuchte in Linienform mit 24V Betriebsspannung
LED machine luminaire line shaped with 24V operating voltage.



Lichtverteilung | Light distribution

Lichtpunkthöhe | Metering distance: 100cm

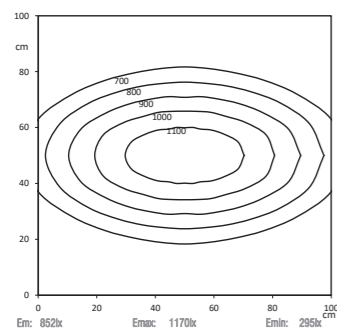
LED LR40 715



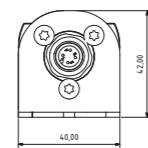
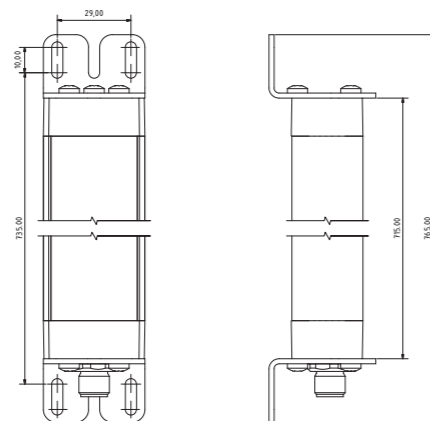
Lichtpunkthöhe | Metering distance: 100cm

LED LR40 715

30°



Dimensionierung | Dimensions



Technische Daten | Technical data

Leistung: 20,2W
Power: 20,2W
Anschlusswert: 24V DC (-10%/+15%)
Connection value: 24V DC (-10%/+15%)
Anschluss: Steckverbinder M12 5pol. A codiert
connector M12 5pol. A coded
Connection type:
Gehäuse: Aluminium eloxiert
Housing: anodized aluminium
Schutzart: IP67
Protection rating: IP67
Schutzklasse: III
Protection class: III
Abdeckung: PMMA oder ESG diffus
Cover: safety glass or PMMA diffuse
Farbtreue: Ra / CRI ≥ 80
Color rendering: Ra / CRI ≥ 80
Lebensdauer: min. 60 000h
Durability: min. 60 000h
Max. Umgebungstemperatur: -20°C / +45°C
Max. ambient temperature: -20°C / +45°C
Optik: 120° Optik
Optics: 120° optics
Belegung: 1 = DC (+) br | br
Pin assignment: 2 = Eco (DC+) ws | wh
3 = DC (-) bl | bl
4 = NC
5 = NC

Normen / Approbationen Standards / Approvals

DIN EN 55015 (EMV)
DIN EN 61547 (EMV)
DIN EN 60598-1
DIN EN 62471



Nomenklatur Nomenclature	Katalognr. Catalogue no.	Abdeckung Cover	Optik Optics	Lichtstrom Luminous flux	Lichttemperatur Light temp.
-----------------------------	-----------------------------	--------------------	-----------------	-----------------------------	--------------------------------

Drehbare Halterung | Turnable mounting

LED LR40 715 PMMA-d-0-M12-57	15070545	PMMA diffus PMMA diffuse	120° Optik 120° optics	ca. 2246 lm	5.700K
LED LR40 715 ESGd-0-M12-57	15070546	ESGd diffus safety glass diffuse	120° Optik 120° optics	ca. 2246 lm	5.700K
LED LR40 715 PMMA-d-0-M12-40	15070549	PMMA diffus PMMA diffuse	120° Optik 120° optics	ca. 2246 lm	4.000K
LED LR40 715 ESGd-0-M12-40	15070550	ESGd diffus safety glass diffuse	120° Optik 120° optics	ca. 2246 lm	4.000K
LED LR40 715 ESGd-30-M12-57	15070616	ESGd diffus safety glass diffuse	30° Optik 30° optics	ca. 2246 lm	5.700K
LED LR40 715 ESGd-30-M12-40	15070618	ESGd diffus safety glass diffuse	30° Optik 30° optics	ca. 2246 lm	4.000K
LED LR40 715 ESGd-60-M12-57	15070620	ESGd diffus safety glass diffuse	60° Optik 60° optics	ca. 2246 lm	5.700K
LED LR40 715 ESGd-60-M12-40	15070719	ESGd diffus safety glass diffuse	60° Optik 60° optics	ca. 2246 lm	4.000K

Drehbare Halterung mit zweitem Flansch zum Durchschleifen | Turnable mounting with second flange for loop through

LED LR40 715 PMMA-d-0-M12D-57	15070746	PMMA diffus PMMA diffuse	120° Optik 120° optics	ca. 2246 lm	5.700K
LED LR40 715 ESGd-0-M12D-57	15070747	ESGd diffus safety glass diffuse	120° Optik 120° optics	ca. 2246 lm	5.700K
LED LR40 715 PMMA-d-0-M12D-40	15070748	PMMA diffus PMMA diffuse	120° Optik 120° optics	ca. 2246 lm	4.000K
LED LR40 715 ESGd-0-M12D-40	15070749	ESGd diffus safety glass diffuse	120° Optik 120° optics	ca. 2246 lm	4.000K
LED LR40 715 ESGd-30-M12D-57	15070762	ESGd diffus safety glass diffuse	30° Optik 30° optics	ca. 2246 lm	5.700K
LED LR40 715 ESGd-30-M12D-40	15070763	ESGd diffus safety glass diffuse	30° Optik 30° optics	ca. 2246 lm	4.000K
LED LR40 715 ESGd-60-M12D-57	15070764	ESGd diffus safety glass diffuse	60° Optik 60° optics	ca. 2246 lm	5.700K
LED LR40 715 ESGd-60-M12D-40	15070765	ESGd diffus safety glass diffuse	60° Optik 60° optics	ca. 2246 lm	4.000K

Ihr Lieferant



webshop: www.evg.de

info@evg.de

+49 2166 5508-0

REV.1,
23.08.21

SANGEL
Systemtechnik
www.sangel.com

Technische Änderungen vorbehalten. Lichtstrom und Lichtfarbe können variieren.
Subject to technical changes. The luminous flux and colour temperature may vary.

SANGEL
Systemtechnik
www.sangel.com