

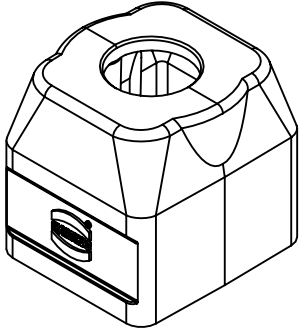
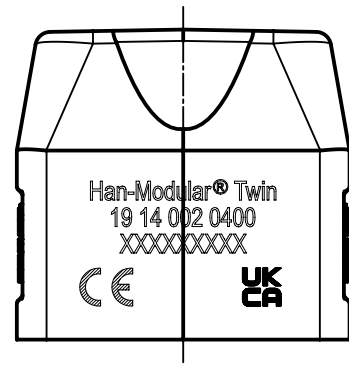
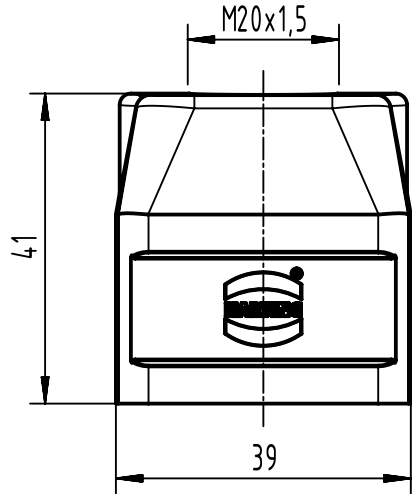
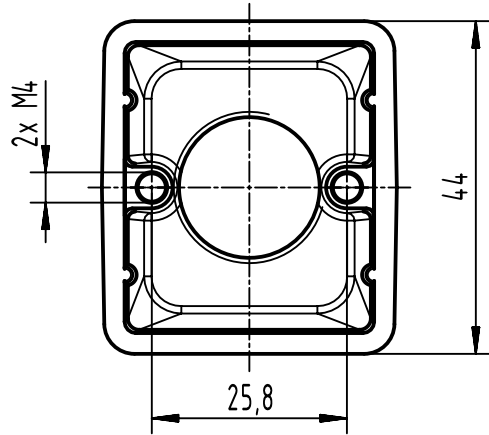
1 2 3 4 5 6

A


B

C

D



max. tightening torque 6Nm for M20x1.5

	All rights reserved Department EL PD	All Dimensions in mm Original Size DIN A4	Scale 1:1	Free size tol.	Ref.
		HARTING D-32339 Espelkamp	Created by SPRENB	Inspected by GERB	Standardisation
Title Han-Modular Twin hood top entry M20					Doc-Key / ECM-Nr. 100172409/UGD/005/C 500000236098
		Type TB	Number 19 14 002 0400		Rev. C
					Page 1/1