

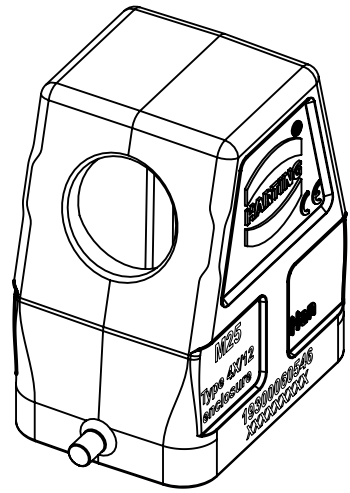
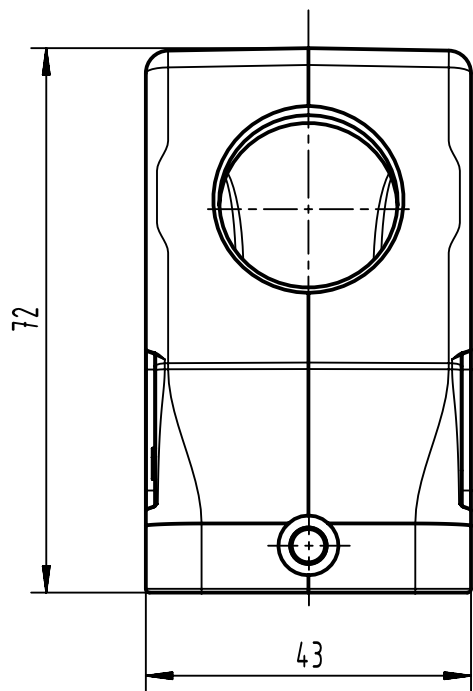
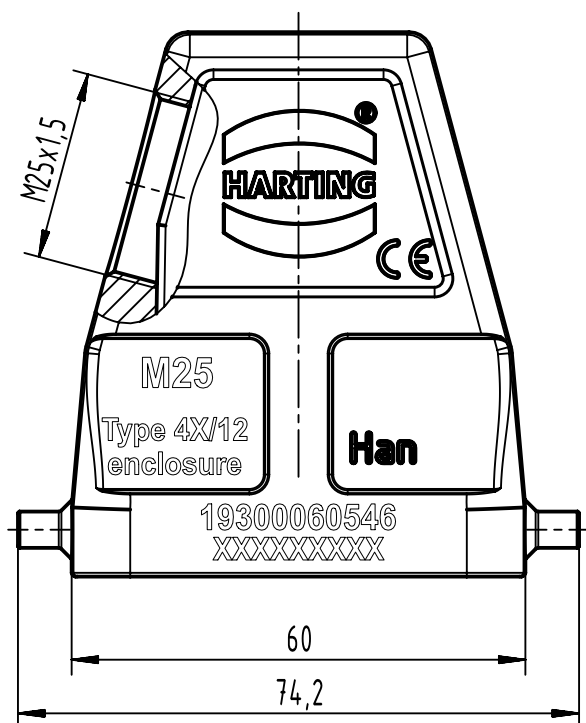
1 2 3 4 5 6

A

B

C

D



	All Dimensions in mm Original Size DIN A4		Scale 1:1	Free size tol.		Ref. Sub. TB 19 30 006 0546 v. 19.02.09	
		All rights reserved	Created by SPRENB	Inspected by GERB	Standardisation 302077	Date 2021-07-02	State Final Release
Department EL PD		Title Han B Hood Side Entry HC 2 Pegs M25				Doc-Key / ECM-Nr. 100204382/UGD/004/C 500000195823	
HARTING D-32339 Espelkamp		Type TB	Number 19 30 006 0546			Rev. C	Page 1/1