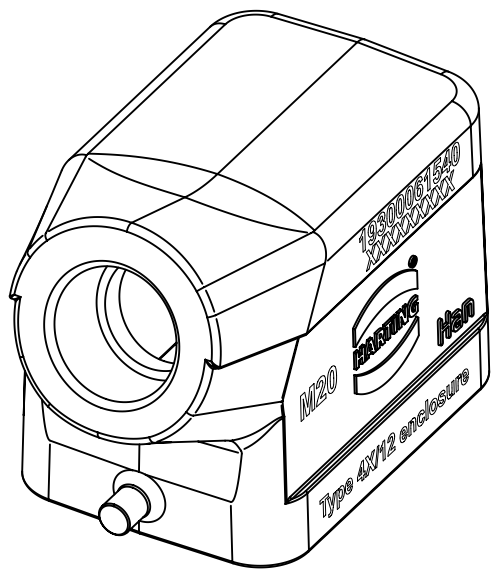
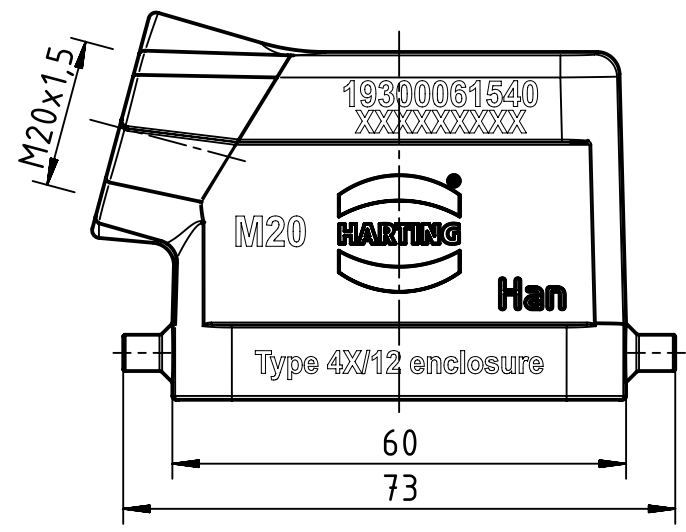
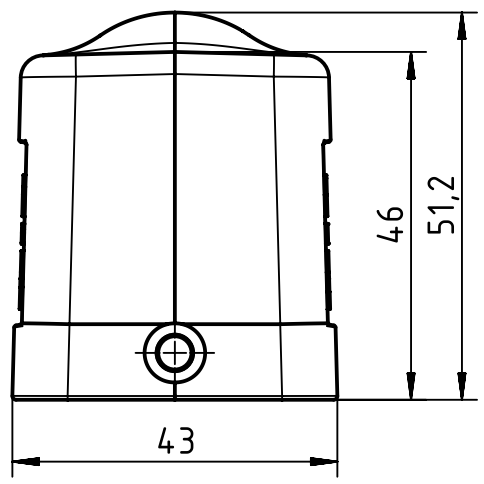


A

B

C

D



	All Dimensions in mm Original Size DIN A4		Scale 1:1	Free size tol.		Ref.		
						Sub.		
	All rights reserved		Created by SPRENB	Inspected by GERB	Standardisation GARSKE	Date 2019-12-06	State Final Release	
	Department EL PD		Title Han 6B-gs-M20				Doc-Key / ECM-Nr. 100178827/UGD/007/D 500000161963	
HARTING Electric GmbH & Co. KG D-32339 Espelkamp			Type TB	Number 19 30 006 1540			Rev. D	Page 1/1