

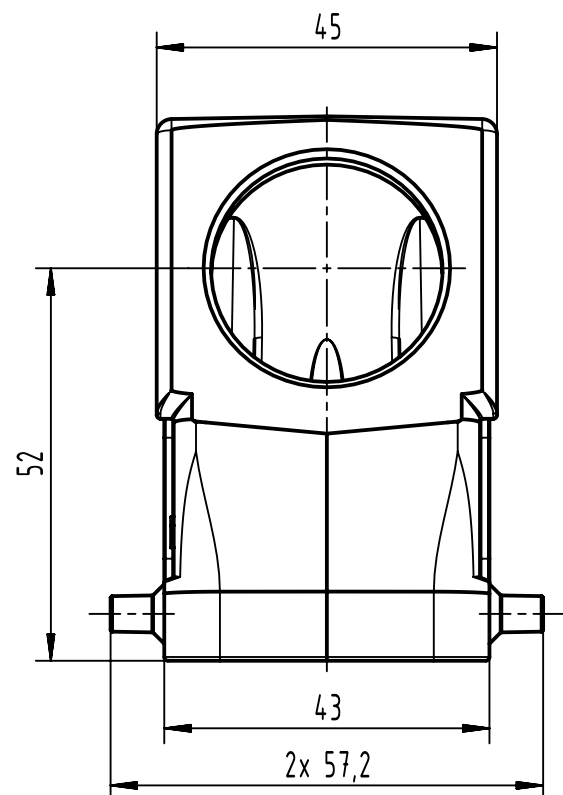
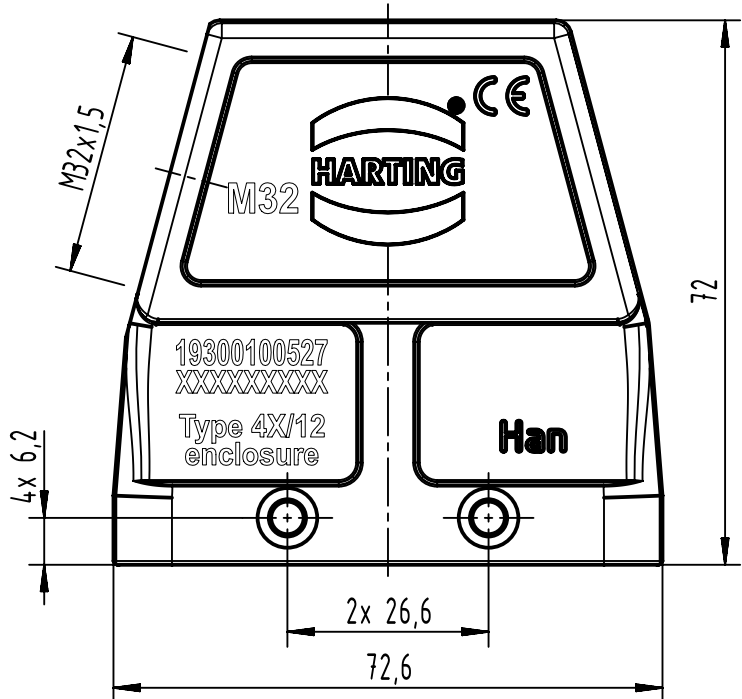
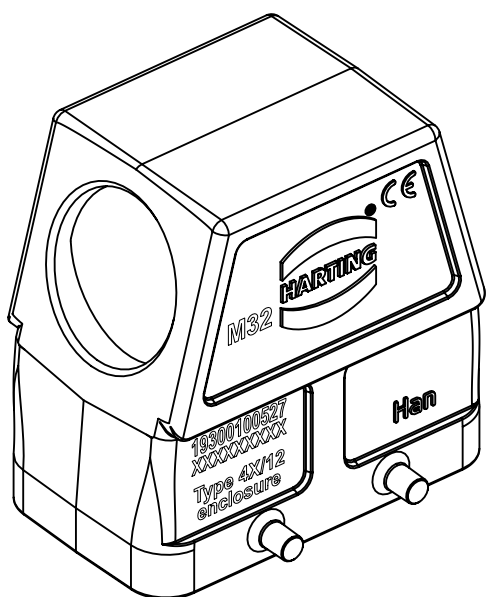
1 2 3 4 5 6

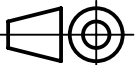

A

B

C

D



 All Dimensions in mm Original Size DIN A4		Scale 1:1	Free size tol.		Ref.
 All rights reserved Department EL PD		Created by MEYERLE	Inspected by GERB	Standardisation	Date 2021-10-18
HARTING D-32339 Espelkamp		Title Han B Hood Side Entry HC 4 Pegs M32			State Final Release
		Type TB	Number 19 30 010 0527		Doc-Key / ECM-Nr. 100232881/UGD/004/D 50000204081
				Rev. D	Page 1/1