

A

B

C

D

4x  $\varnothing 4,1$

5,5

M25x1,5  
**HARTING** M25  
 19300101141  
 XXXXXXXXX  
 Type 4X/12 enclosure Han  
 CE UK CA

gasket

seal

2x 112

126,5

49,3

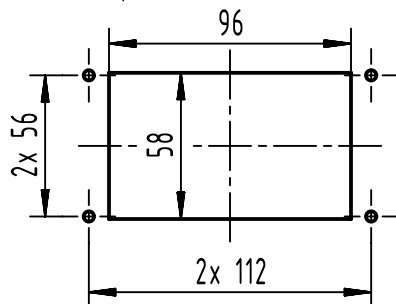
80,4

2x 56

55,9

70,5

panel cut out (1:3)



All Dimensions in mm  
 Original Size DIN A4

Scale  
 1:1

Free size tol.

Ref.

Sub.



All rights reserved

Department EL PD

Created by  
 SHENGJ

Inspected by  
 WANGSTE

Standardisation  
 ROEBEN

Date  
 2024-04-10

State  
 Final Release

Title  
 Han 10B HTE M25 PFT CL

Doc-Key / ECM-Nr.  
 100733936/UGD/001/D  
 500000267270

HARTING (Zhuhai) Manufacturing Co., Ltd.  
 519085 Zhuhai, China

Type  
 TB

Number  
 19 30 010 1141

Rev.  
 D

Page  
 1/1