

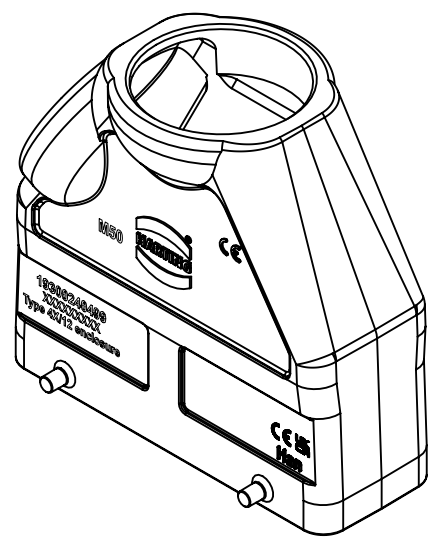
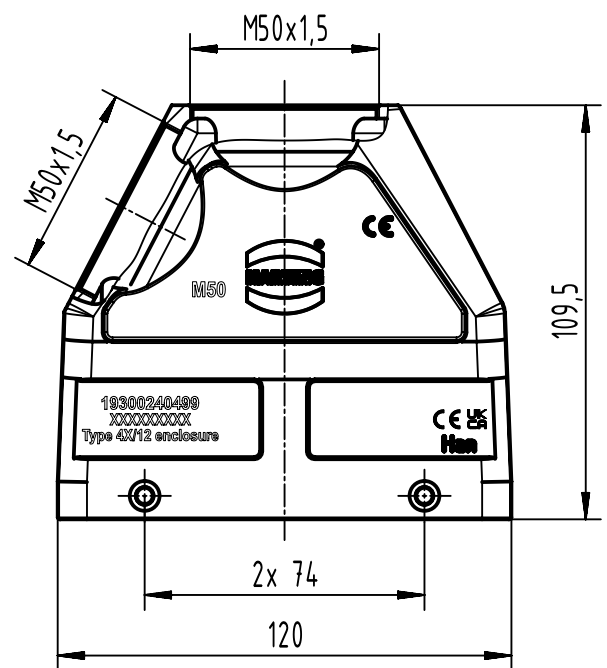
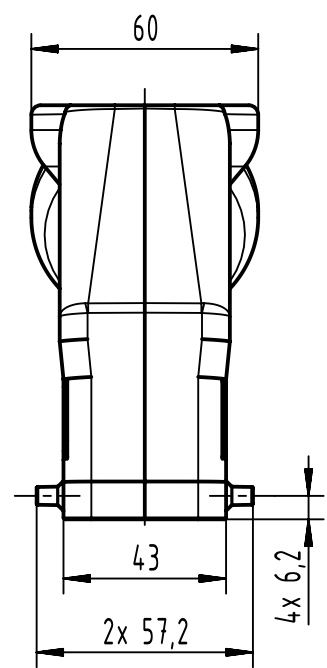
1 2 3 4 5 6

A

B

C

D



	All Dimensions in mm Original Size DIN A4		Scale 1:2	Free size tol.		Ref. Sub.	
		All rights reserved Department EL PD	Created by 105230	Inspected by GERB	Standardisation	Date 2023-11-23	State Final Release
HARTING D-32339 Espelkamp		Title Han 24B-HTE/HSE-M50			Doc-Key / ECM-Nr. 100736924/UGD/001/F 500000257544		
		Type TB	Number 19 30 024 0499			Rev. F	Page 1/1