

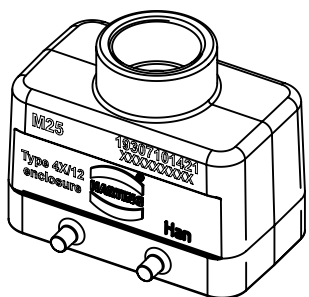
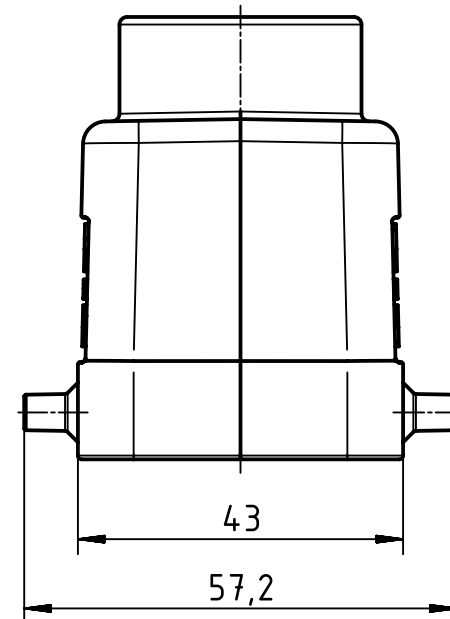
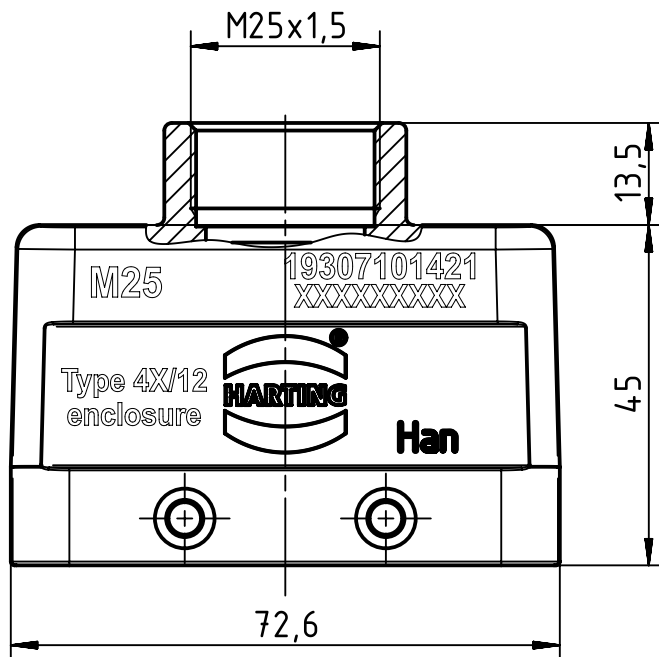
1 2 3 4 5 6

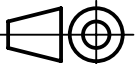

A

B

C

D



	All Dimensions in mm Original Size DIN A4		Scale 1:1	Free size tol.		Ref.		
						Sub.		
	All rights reserved		Created by HELLMANN	Inspected by GERB	Standardisation RUETERA	Date 2019-12-02	State Final Release	
	Department EL PD		Title Han 10B-gg-M25 (black)				Doc-Key / ECM-Nr. 100507544/UGD/002/E 500000161508	
HARTING Electric GmbH & Co. KG D-32339 Espelkamp			Type TB	Number 19 30 710 1421			Rev. E	Page 1/1