

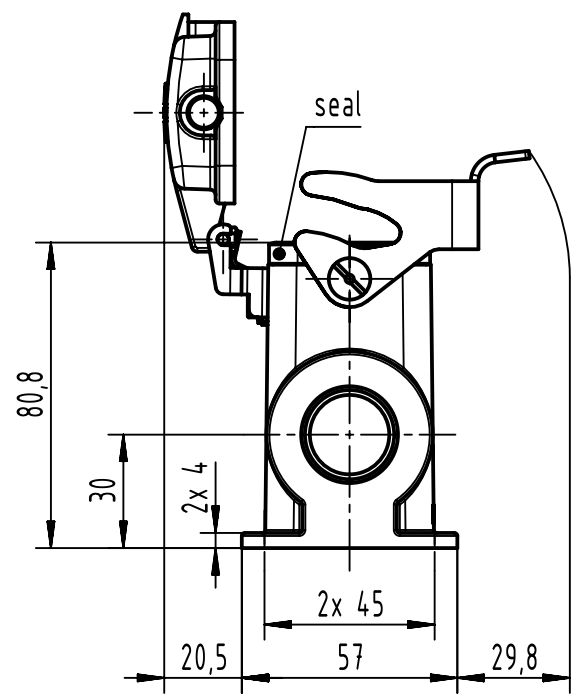
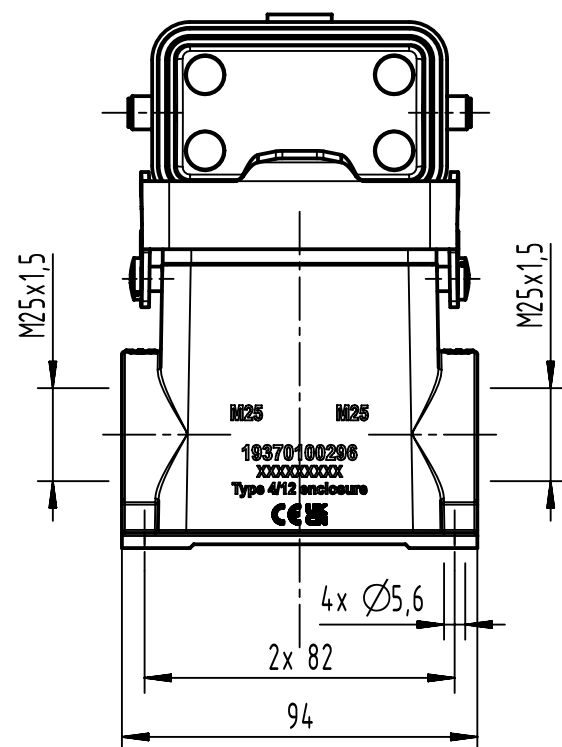
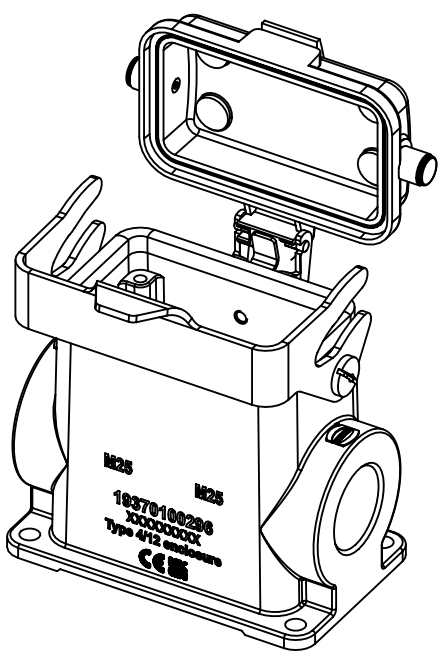
1 2 3 4 5 6

A

B

C

D



	All rights reserved Department EL PD	All Dimensions in mm Original Size DIN A4		Scale 1:2	Free size tol.	Ref. Sub.	
		Created by HELLMANN	Inspected by GERB	Standardisation	Date 2023-11-22	State Final Release	
HARTING D-32339 Espelkamp		Title Han 10M-asg2-LB-K-M25 (Ak in Al)				Doc-Key / ECM-Nr. 100192093/UGD/004/F 500000257719	
		Type TB	Number 19 37 010 0296			Rev. F	Page 1/1