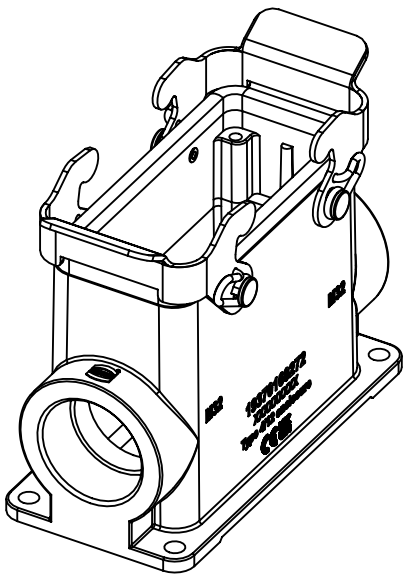
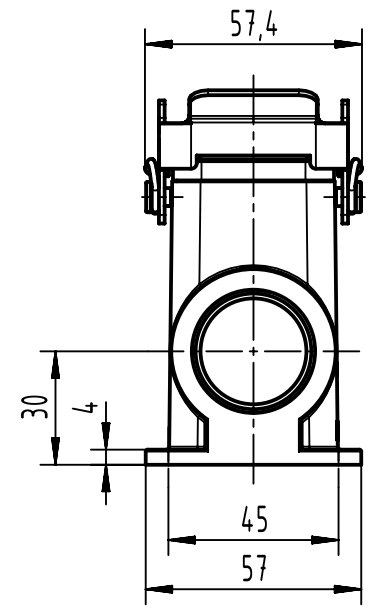
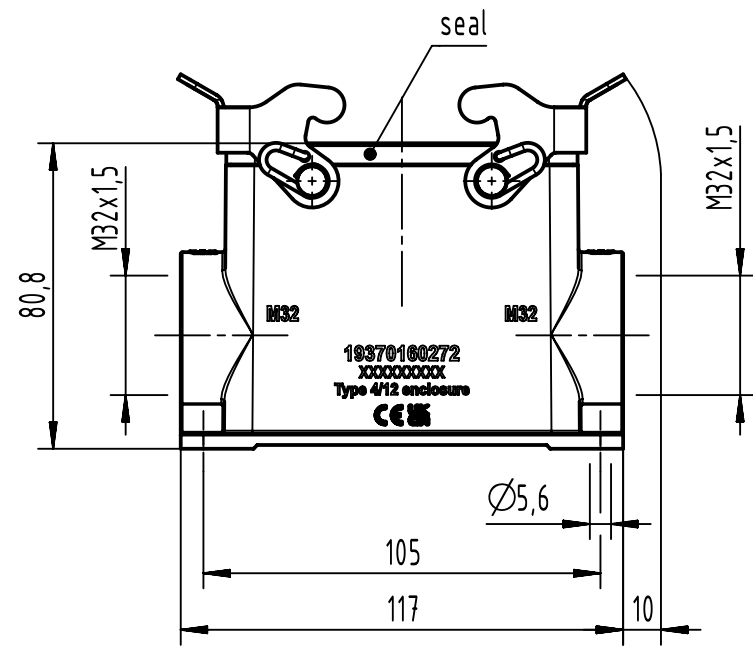


A

B

C

D



	All Dimensions in mm Original Size DIN A4		Scale 1:2	Free size tol.		Ref. Sub. TB 19 37 016 0272 v. 30.05.11	
		All rights reserved	Created by HELLMANN	Inspected by GERB	Standardisation	Date 2023-12-08	State Final Release
Department EL PD		Title Han 16M-asg2-QB-M32					Doc-Key / ECM-Nr. 100211828/UGD/004/D 500000258456
HARTING D-32339 Espelkamp		Type TB	Number 19 37 016 0272			Rev. D	Page 1/1