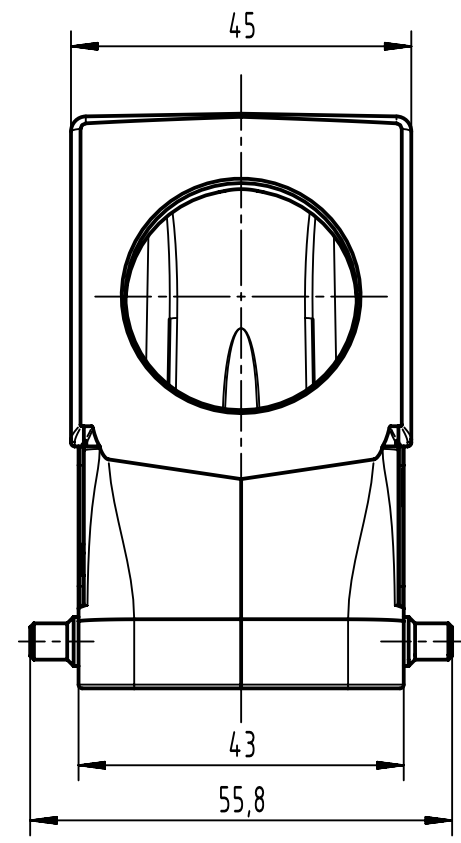
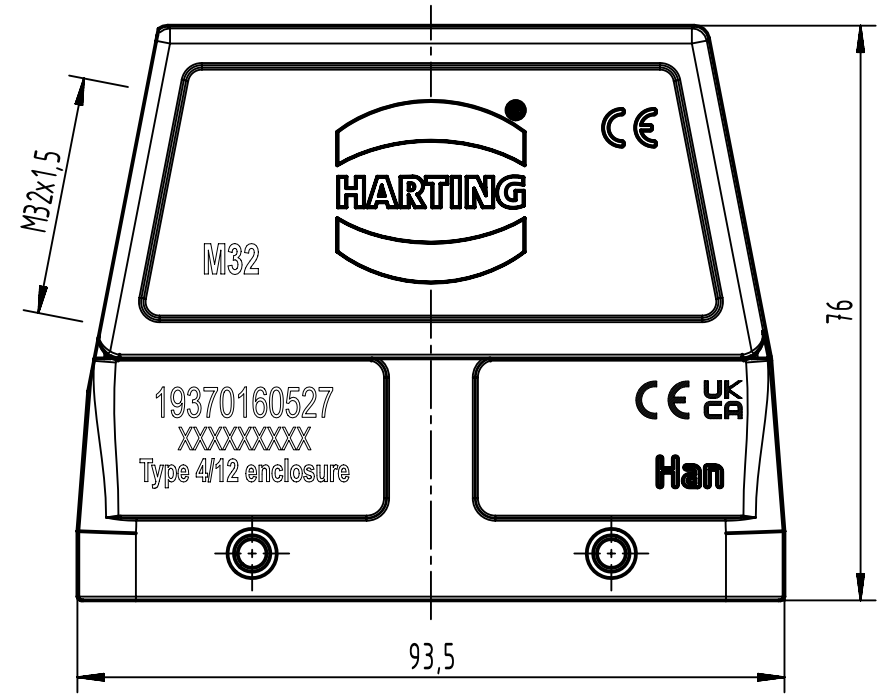
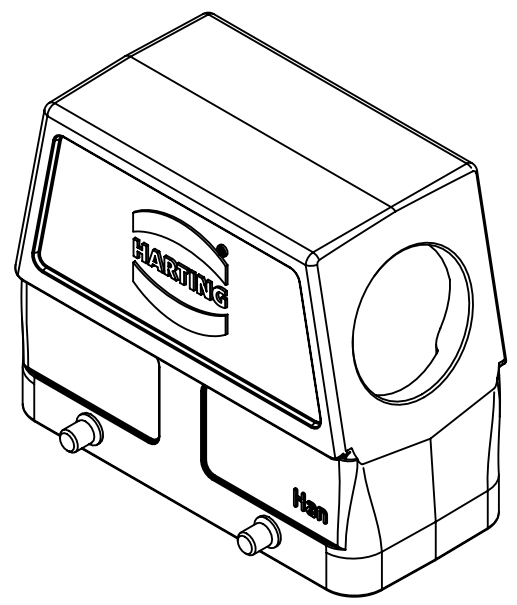
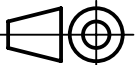



1 2 3 4 5 6

A
B
C
D



| | | | | | | | |
|--|---|-------------------------|--------------------------|-----------------|--|------------------------|-------------|
|  All Dimensions in mm Original Size DIN A4 | Scale 1:1 | Free size tol. | | | Ref. Sub. TB 19 37 016 0527 v. 05.12.00 | | |
| |  All rights reserved Department EL PD | Created by HELLMANN | Inspected by GERB | Standardisation | Date 2023-12-08 | State Final Release | |
| HARTING D-32339 Espelkamp | | Title Han 16M-gs-M32 | | | Doc-Key / ECM-Nr. 100222908/UGD/002/F 500000258456 | | |
| | | Type TB | Number 19 37 016 0527 | | | Rev. F | Page 1/1 |