

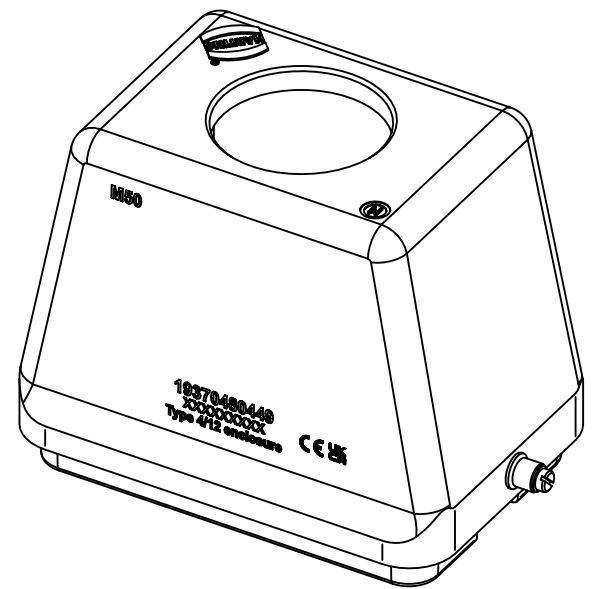
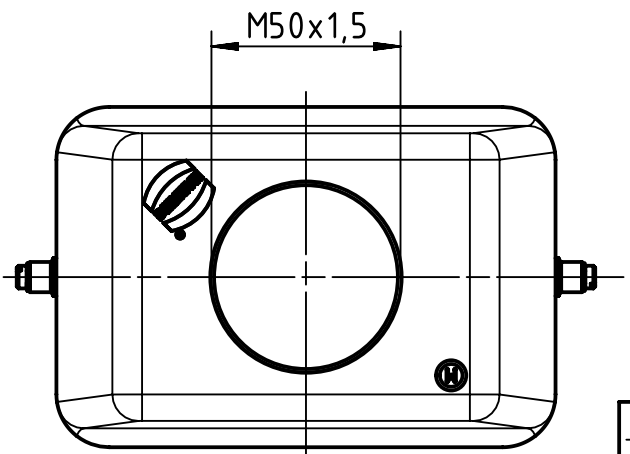
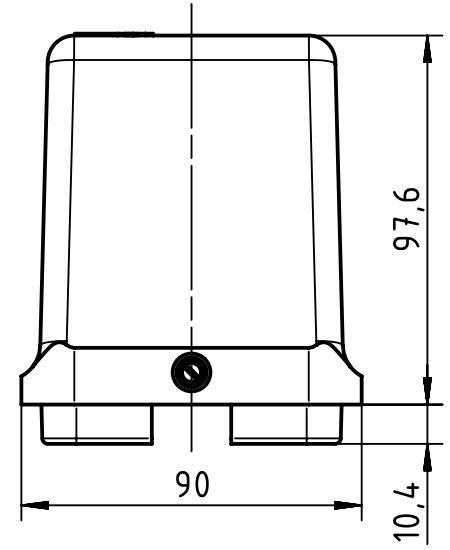
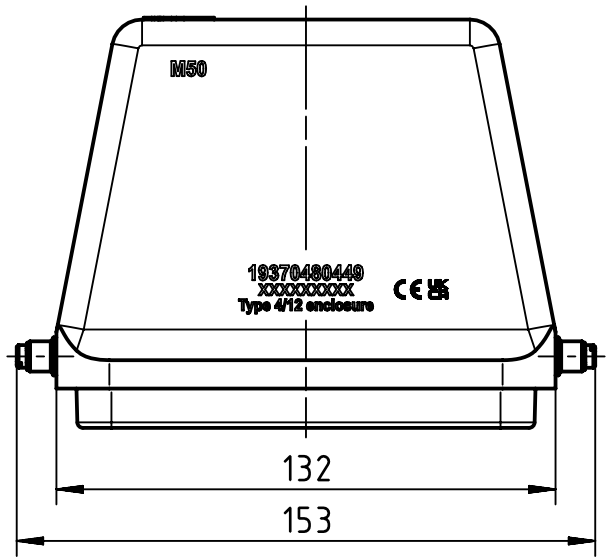
1 2 3 4 5 6


A

B

C

D



	All rights reserved Department EL PD	All Dimensions in mm Original Size DIN A4	Scale 1:2	Free size tol.		Ref.
		Created by 105230	Inspected by GERB	Standardisation	Date 2023-12-08	State Final Release
HARTING D-32339 Espelkamp		Title Han 48M-gg-M50			Doc-Key / ECM-Nr. 100173598/UGD/004/C 500000259023	
		Type TB	Number 19 37 048 0449		Rev. C	Page 1/1