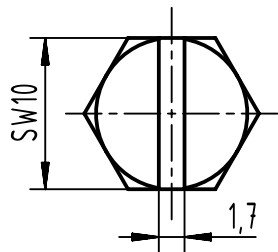
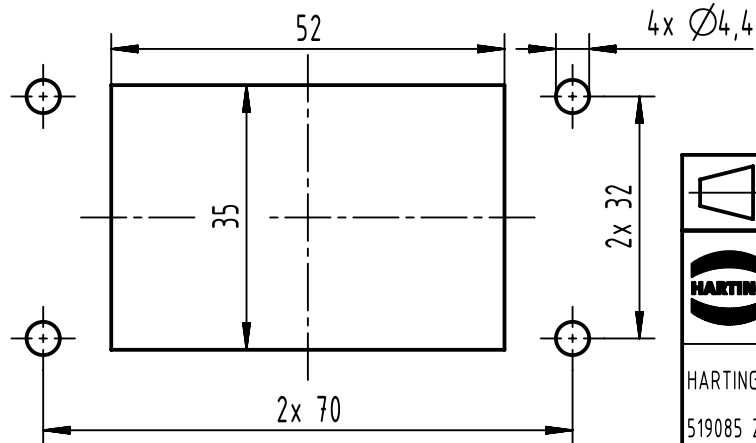
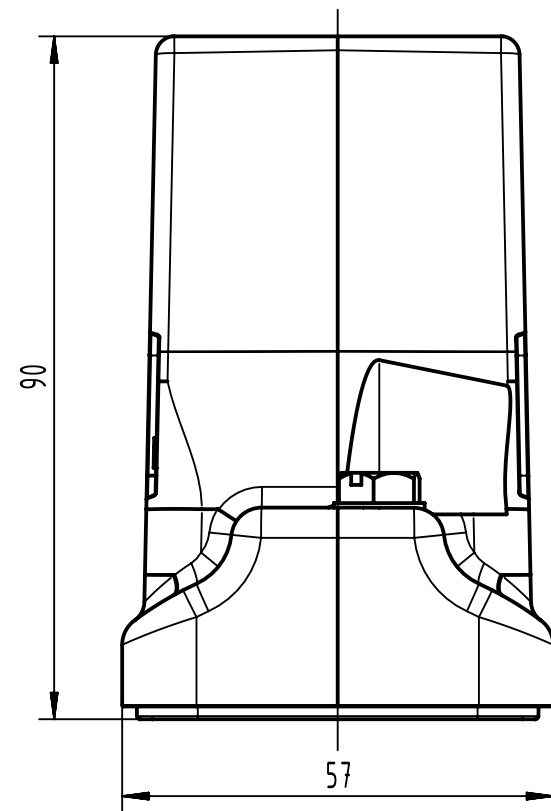
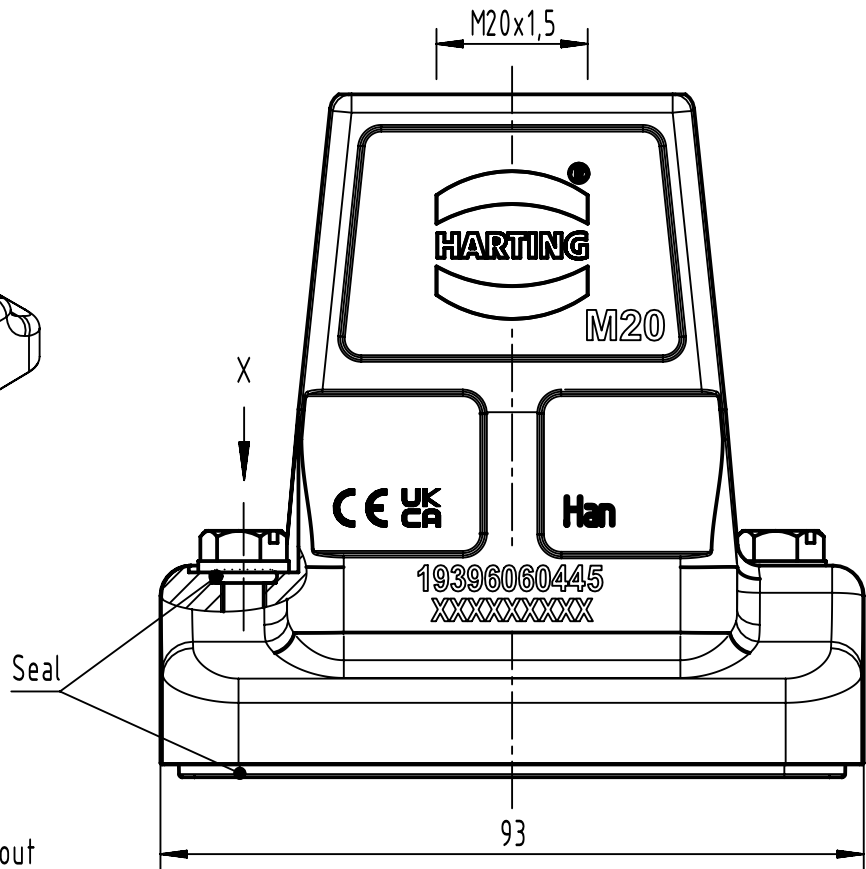



X (2:1)



Panel cut out



	All rights reserved		Created by SHENGJ		Inspected by WANGSTE		Standardisation ROEBEN		Date 2024-03-01		State Final Release	
	Department EL PD		Title Han 6HP Direct/B-HTE-M20		Number 19 39 606 0445		Doc-Key / ECM-Nr. 100646316/UGD/003/G 500000264683		Rev. G		Page 1/1	
HARTING (Zhuhai) Manufacturing Co., Ltd. 519085 Zhuhai, China			Scale 1:1		Free size tol.		Ref.		Sub.			