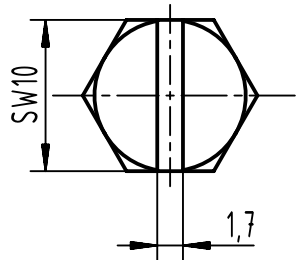
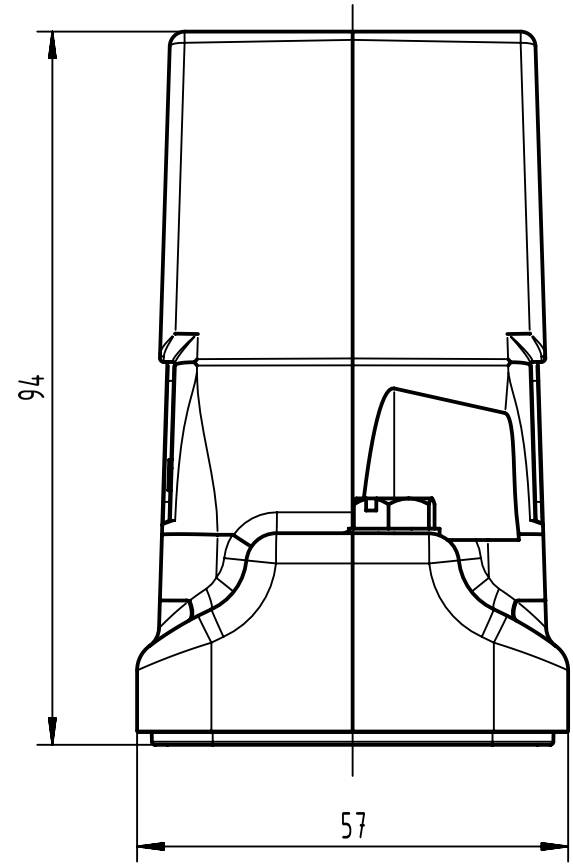
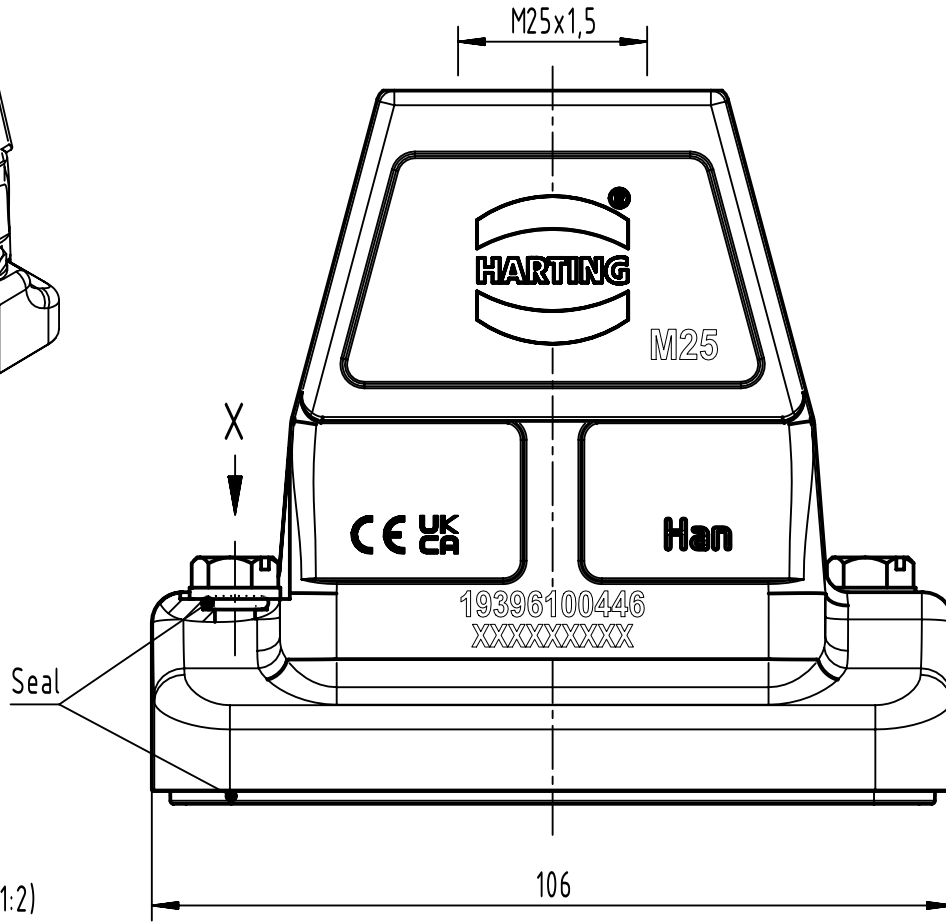
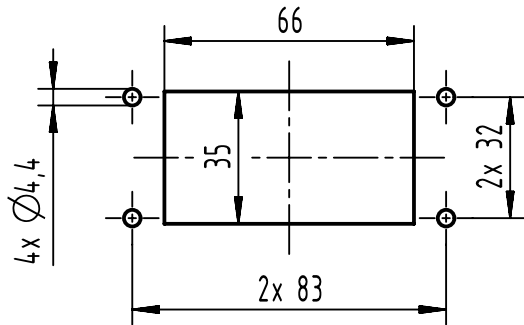



X (2:1)



Panel cut out (1:2)



	All rights reserved		Created by SHENGJ		Inspected by WANGSTE		Standardisation ROEBEN		Date 2024-03-01		State Final Release	
	Department EL PD		Title Han 10HP Direct/B-HTE-M25		Number 19 39 610 0446		Doc-Key / ECM-Nr. 100632975/UGD/003/J 500000264683		Rev. J		Page 1/1	
HARTING (Zhuhai) Manufacturing Co., Ltd. 519085 Zhuhai, China			Type TB		Free size tol.		All Dimensions in mm Original Size DIN A4		Scale 1:1		Ref. Sub.	