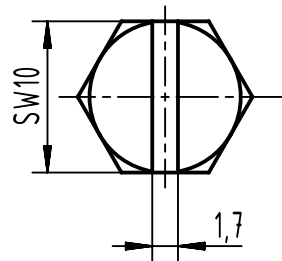
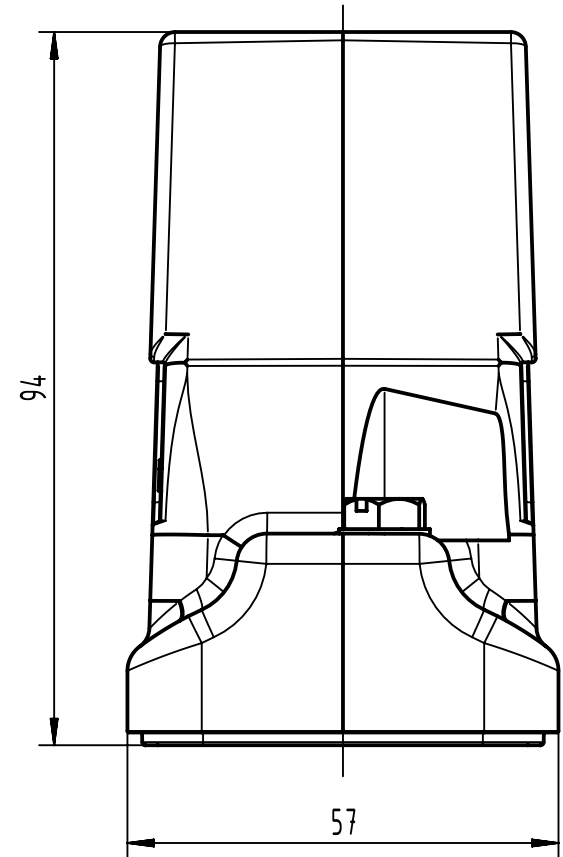
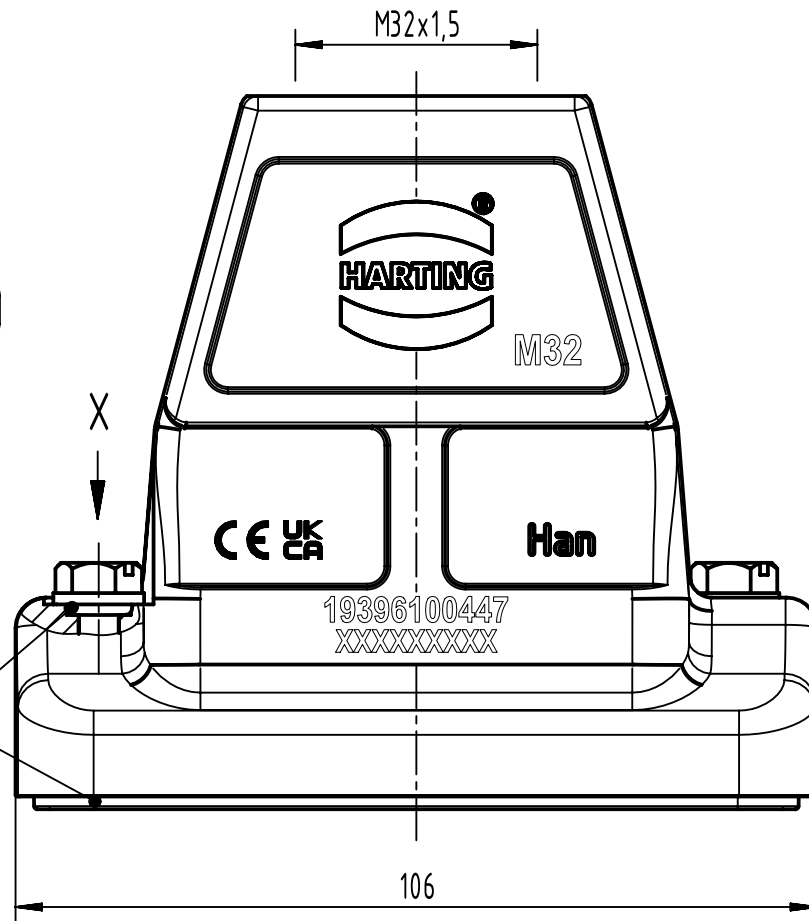
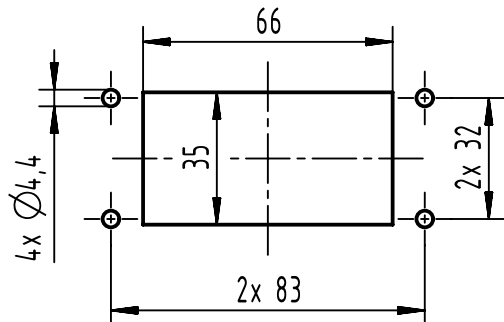


X (2:1)



Seal

Panel cut out (1:2)



	All Dimensions in mm Original Size DIN A4		Scale 1:1	Free size tol.		Ref.	
	All rights reserved Department EL PD		Created by SHENGJ	Inspected by WANGSTE	Standardisation ROEBEN	Date 2024-03-01	State Final Release
HARTING (Zhuhai) Manufacturing Co., Ltd. 519085 Zhuhai, China			Title Han 10HP Direct/B-HTE-M32			Doc-Key / ECM-Nr. 100632975/UGD/004/J 500000264683	
			Type TB	Number 19 39 610 0447		Rev. J	Page 1/1