

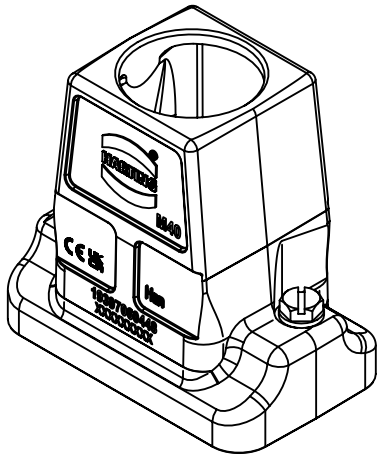
1 2 3 4 5 6

A

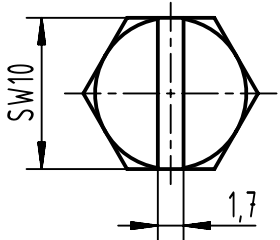
B

C

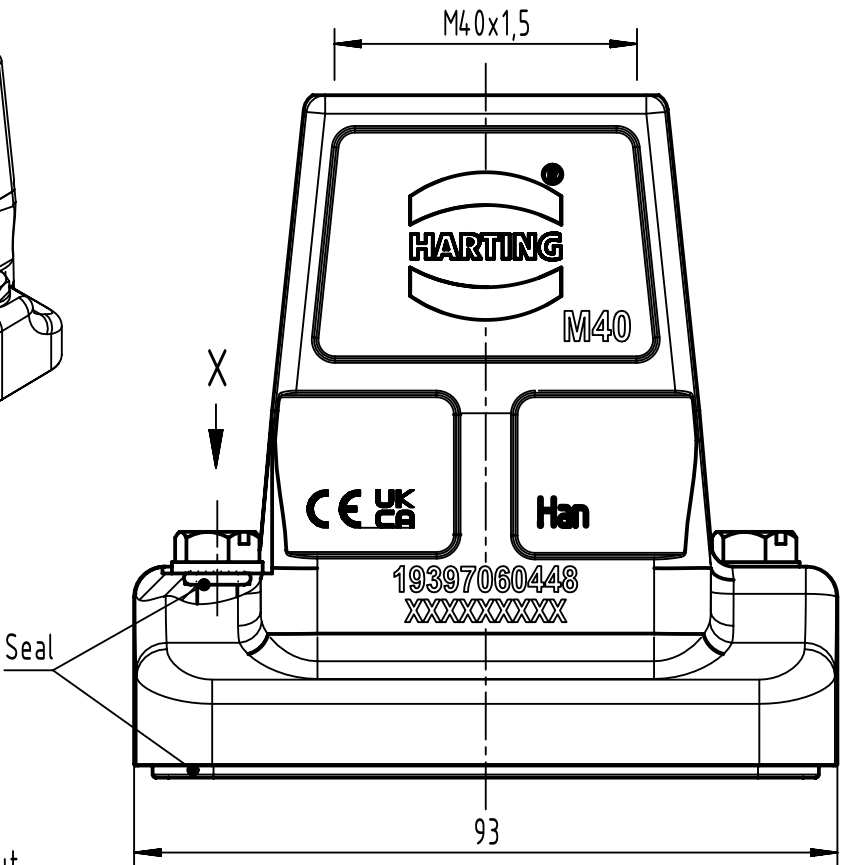
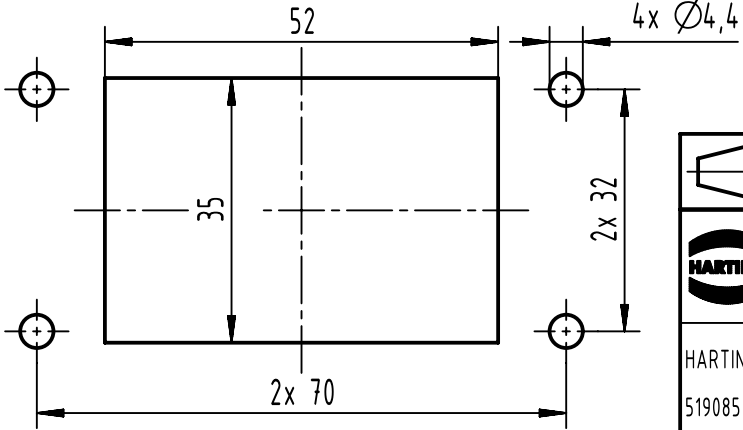
D



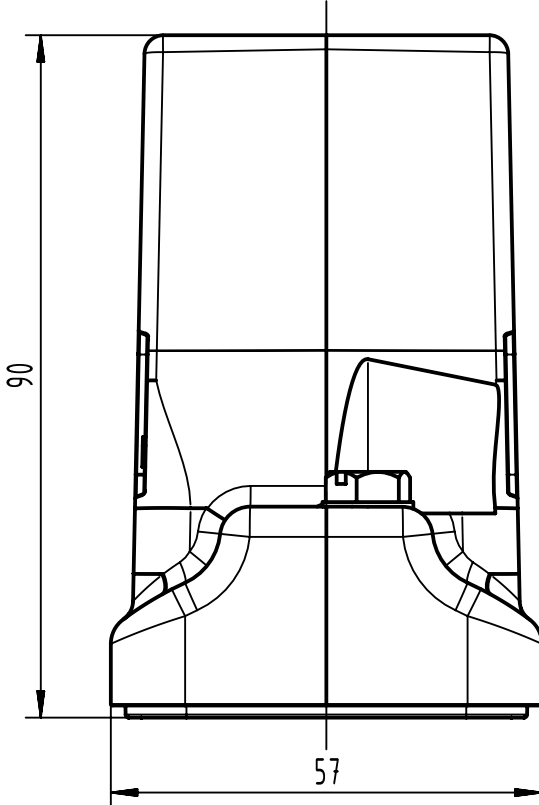
X (2:1)



Panel cut out



Seal



All Dimensions in mm  
Original Size DIN A4

Scale  
1:1

Free size tol.

Ref.

Sub.



All rights reserved  
Department EL PD

Created by  
SHENGJ

Inspected by  
WANGSTE

Standardisation  
ROEBEN

Date  
2024-03-01

State  
Final Release

Title  
Han 6HP Direct/M-HTE-M40

Doc-Key / ECM-Nr.  
100663697/UGD/005/H  
500000264685

HARTING (Zhuhai) Manufacturing Co., Ltd.  
519085 Zhuhai, China

Type  
TB

Number  
19 39 706 0448

Rev.  
H

Page  
1/1