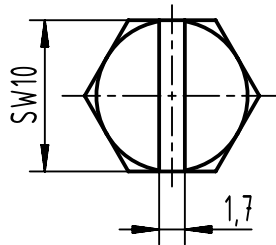
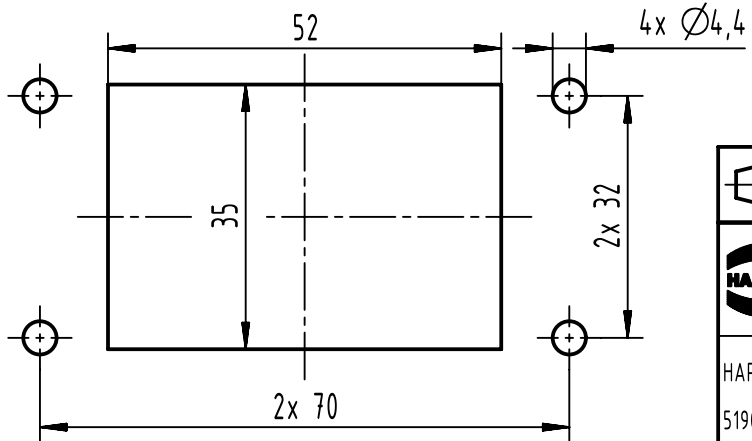
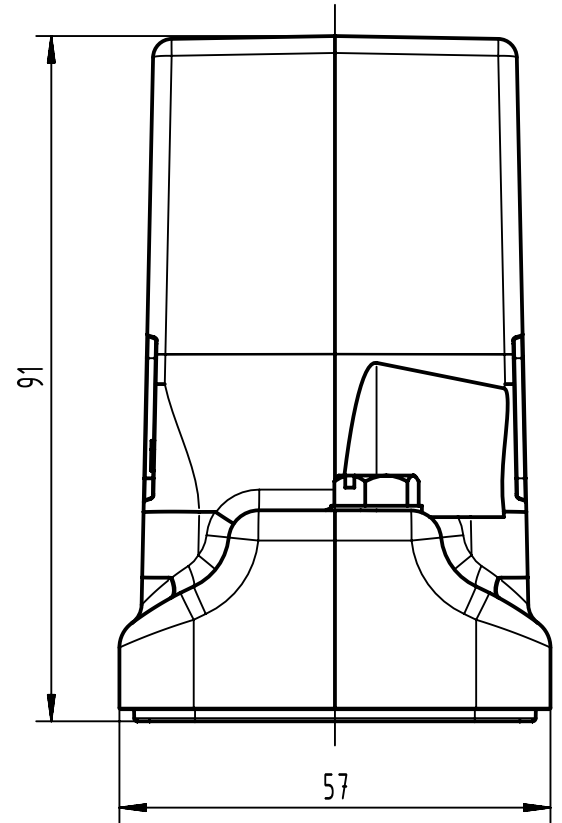
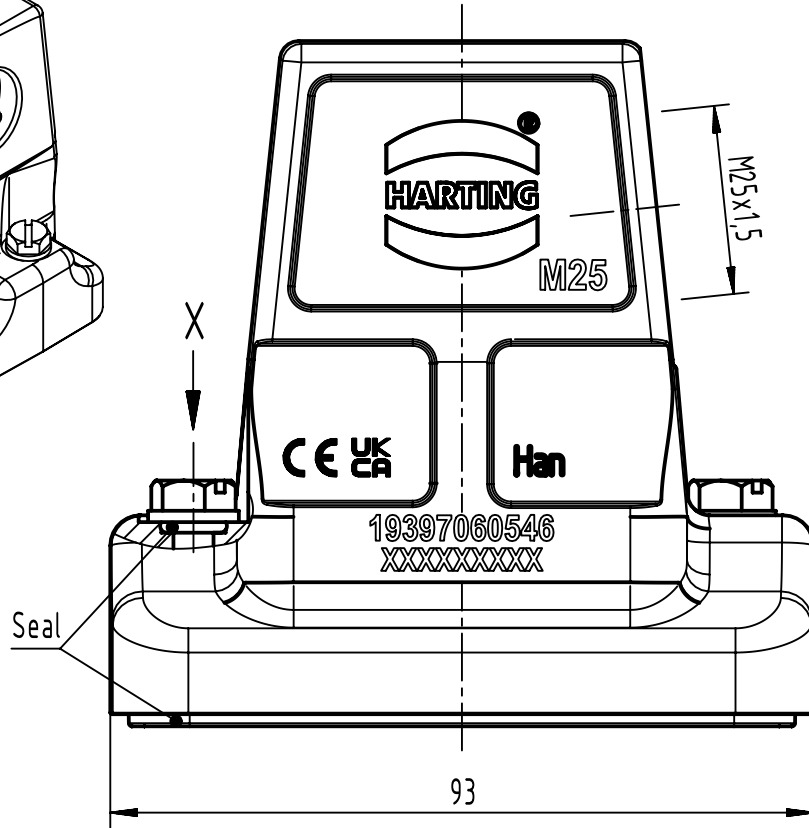


X (2:1)



Panel cut out



	All rights reserved Department EL PD	All Dimensions in mm Original Size DIN A4			Scale 1:1	Free size tol.	Ref.
		HARTING (Zhuhai) Manufacturing Co., Ltd. 519085 Zhuhai, China	Created by SHENGJ	Inspected by WANGSTE	Standardisation ROEBEN	Date 2024-03-01	State Final Release
Title Han 6HP Direct/M-HSE-M25		Type TB	Number 19 39 706 0546	Rev. H	Page 1/1		