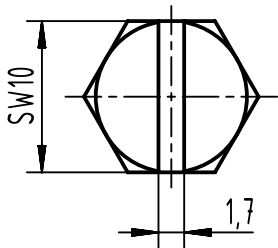
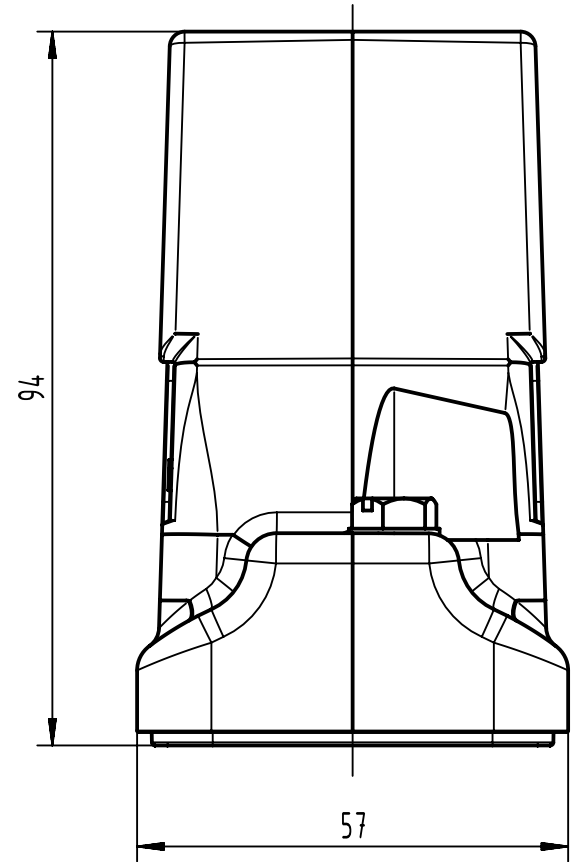
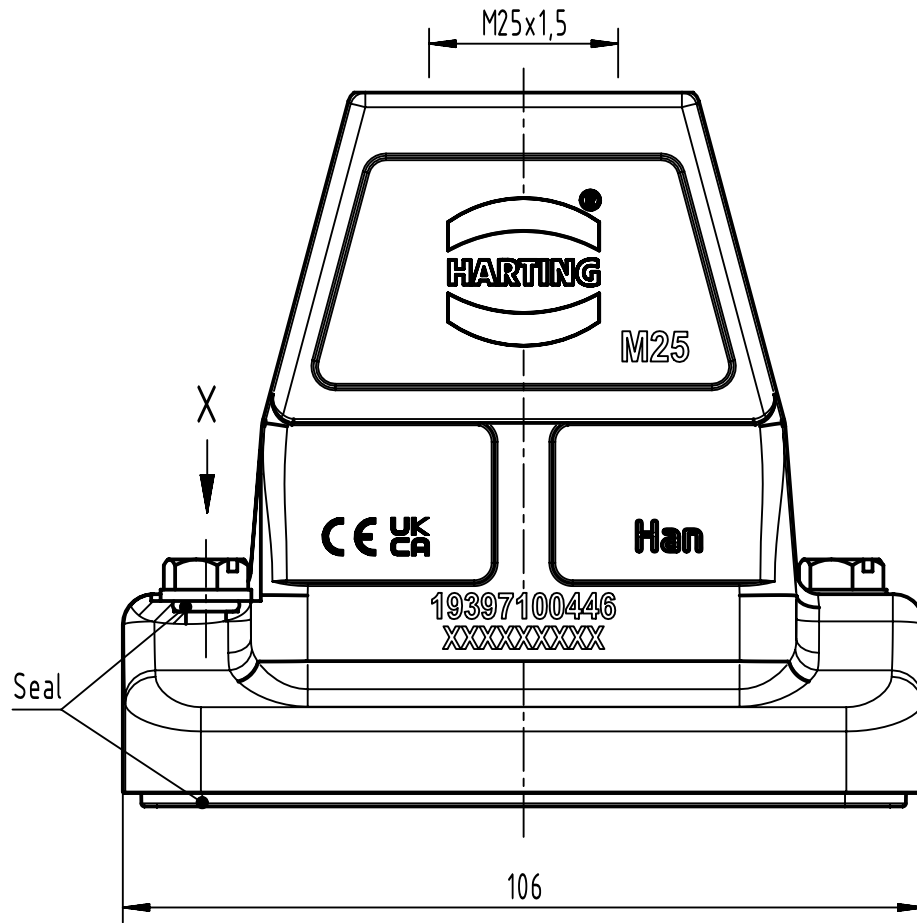
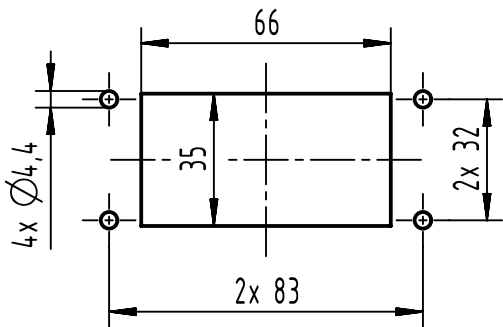



X (2:1)



Panel cut out (1:2)



	All rights reserved Department EL PD	All Dimensions in mm Original Size DIN A4			Scale 1:1	Free size tol.	Ref. Sub.
		HARTING (Zhuhai) Manufacturing Co., Ltd. 519085 Zhuhai, China	Created by SHENGJ	Inspected by WANGSTE	Standardisation ROEBEN	Date 2024-03-01	State Final Release
		Title Han 10HP Direct/M-HTE-M25				Rev. H Page 1/1	
		Type TB	Number 19 39 710 0446				